


 **Instructions for use and installation**
Cooker Hood

 **Istruzioni per l'uso e l'installazione**
Cappa

 **Mode d'emploi et installation**
Hotte de Cuisine

 **Bedienungsanleitung und Einrichtung**
Dunstabzugshaube

 **Kullanım ve montaj talimatları**
Davlumbaz

 **Upute za korištenje i instalaciju**
Napa

 **Instrukcja obsługi i instalacji**
Okap kuchenny

FPL 607 I
FPL 907 I
FPL 457 I XS 645H
FPL 607 I XS 645H
FPL 907 I XS 645H

Instructions Manual

INDEX

RECOMMENDATIONS AND SUGGESTIONS	9
CHARACTERISTICS	10
INSTALLATION	12
USE	16
MAINTENANCE	17

Libretto di Istruzioni

INDICE

CONSIGLI E SUGGERIMENTI	20
CARATTERISTICHE	21
INSTALLAZIONE	23
USO	27
MANUTENZIONE	28

Manuel d'Instructions

SOMMAIRE

CONSEILS ET SUGGESTIONS	31
CARACTERISTIQUES	32
INSTALLATION	34
UTILISATION.....	38
ENTRETIEN.....	39

Bedienungsanleitung

INHALTSVERZEICHNIS

EMPFEHLUNGEN UND HINWEISE	42
CHARAKTERISTIKEN.....	43
MONTAGE	45
BEDIENUNG.....	49
WARTUNG.....	50

Kullanım Kilavuku

İÇERİKLER

TAVSİYELER VE ÖNERİLER	53
ÖZELLİKLER	54
MONTAJ	56
KULLANIM	60
BAKIM	61

Uputstva za Korištenje

KAZALO

SAVJETI I PREPORUKE.....	64
SVOJSTVA PROIZVODA.....	65
INSTALIRANJE.....	67
KORIŠTENJE.....	71
ODRŽAVANJE.....	72

Instrukcja Obsługi

SPIS TREŚCI

UWAGI I SUGESTIE.....	75
WŁAŚCIWOŚCI TECHNICZNE.....	76
INSTALACJA.....	78
UŻYTKOWANIE.....	82
KONSERWACJA.....	83

RECOMMENDATIONS AND SUGGESTIONS

△ The Instructions for Use apply to several versions of this appliance. Accordingly, you may find descriptions of individual features that do not apply to your specific appliance.

INSTALLATION


- The manufacturer will not be held liable for any damages resulting from incorrect or improper installation.
- The minimum safety distance between the cooker top and the extractor hood is 650 mm.
- Check that the mains voltage corresponds to that indicated on the rating plate fixed to the inside of the hood.
- For Class I appliances, check that the domestic power supply guarantees adequate earthing.
Connect the extractor to the exhaust flue through a pipe of minimum diameter 120 mm. The route of the flue must be as short as possible.
- Do not connect the extractor hood to exhaust ducts carrying combustion fumes (boilers, fireplaces, etc.).
- If the extractor is used in conjunction with non-electrical appliances (e.g. gas burning appliances), a sufficient degree of aeration must be guaranteed in the room in order to prevent the backflow of exhaust gas. The kitchen must have an opening communicating directly with the open air in order to guarantee the entry of clean air.

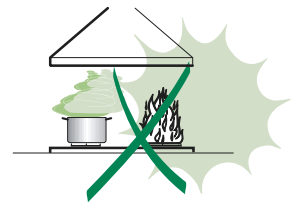
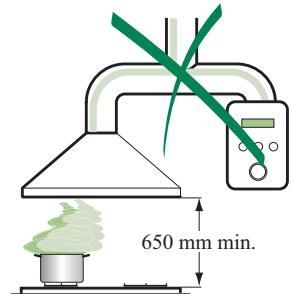
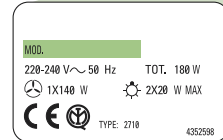
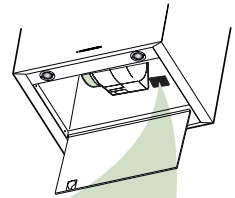
USE

- The extractor hood has been designed exclusively for domestic use to eliminate kitchen smells.
- Never use the hood for purposes other than for which it has been designed.
- Never leave high naked flames under the hood when it is in operation.
- Adjust the flame intensity to direct it onto the bottom of the pan only, making sure that it does not engulf the sides.
- Deep fat fryers must be continuously monitored during use: overheated oil can burst into flames.
- Do not flambe under the range hood; risk of fire
- This appliance is not intended for use by persons (including children) with reduced physical, sensory or mental capabilities, or lack of experience and knowledge, unless they have been given supervision or instruction concerning use of the appliance by a person responsible for their safety.
- Children should be supervised to ensure that they do not play with the appliance.

MAINTENANCE

- Switch off or unplug the appliance from the mains supply before carrying out any maintenance work.
- Clean and/or replace the Filters after the specified time period.
- Clean the hood using a damp cloth and a neutral liquid detergent.

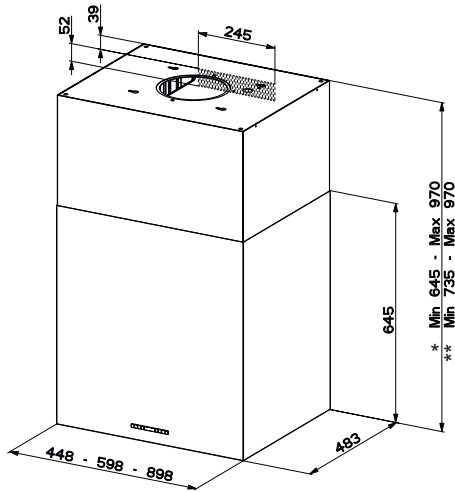
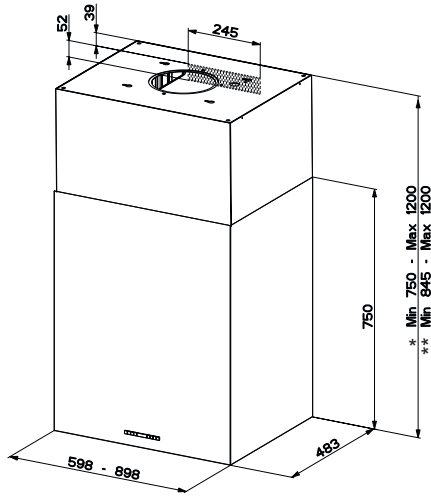
The symbol  on the product or on its packaging indicates that this product may not be treated as household waste. Instead it shall be handed over to the applicable collection point for the recycling of electrical and electronic equipment. By ensuring this product is disposed of correctly, you will help prevent potential negative consequences for the environment and human health, which could otherwise be caused by inappropriate waste handling of this product. For more detailed information about recycling of this product, please contact your local city office, your household waste disposal service or the shop where you purchased the product.



CHARACTERISTICS

Dimensions

The dimensions depend on the chosen version

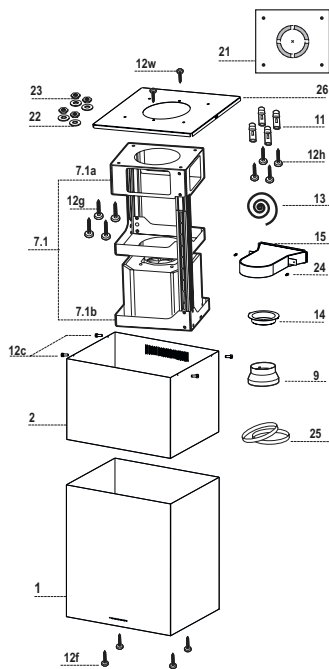


* Dimensions of the hood in ducting version.

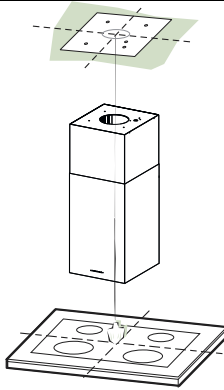
** Dimensions of the hood in recycling version.

Components

Ref.	Q.ty	Product Components
1	1	Hood Body, complete with: Controls, Light, Blower, Filters
2	1	Upper Chimney
7.1	1	Telescopic frame complete with extractor, consisting of:
7.1a	1	Upper frame
7.1b	1	Lower frame
9	1	Reducer Flange \varnothing 150-120 mm (Optional)
13	1	Gasket
14	1	Hood Body Air Outlet Extension Piece
15	1	Air Outlet Connection
25	2	Pipe clamps
26	1	Fixing Part of the upper Chimney
Ref.	Q.ty	Installation Components
11	4	Wall Plugs \varnothing 10
12c	4	Screws 2,9 x 9,5
12f	4	Screws M6 x 15
12g	4	Screws M6 x 80
12h	4	Screws 5,2 x 70
12w	2	Screws M3 x 8
21	1	Drilling template
22	4	6.4 mm int. dia washers
23	4	M6 nuts
24	2	Fixing knobs for the air outlet connection piece
Q.ty	Documentation	
1	Instruction Manual	



INSTALLATION



Drilling the Ceiling/shelf and fixing the frame

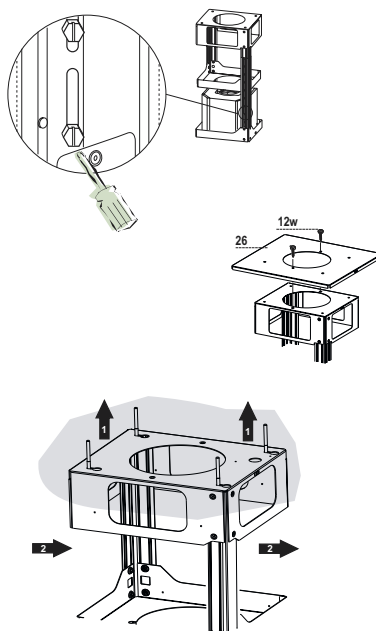
DRILLING THE CEILING/SHELF

- Use a plumb line to mark the centre of the hob on the ceiling/support shelf.
- Place the drilling template **21** provided on the ceiling/support shelf, making sure that the template is in the correct position by lining up the axes of the template with those of the hob.
- Mark the centres of the holes in the template.
- Drill the holes at the points marked:
 - For concrete ceilings, drill for plugs appropriate to the screw size.
 - For hollow brick ceilings with wall thickness of 20 mm: drill \varnothing 10 mm(immediately insert the Dowels **11** supplied).
 - For wooden beam ceilings, drill according to the wood screws used.
 - For wooden shelf, drill \varnothing 7 mm.
 - For the power supply cable feed, drill \varnothing 10 mm.
 - For the air outlet (Ducted Version), drill according to the diameter of the external air exhaust duct connection.
- Insert two screws of the following type, crossing them and leaving 4-5 mm from the ceiling:
 - For concrete ceilings, use the appropriate plugs for the screw size (not provided).
 - for Cavity ceiling with inner space, with wall thickness of approx. 20 mm, Screws **12h**, supplied.
 - For wooden beam ceilings, use 4 wood screws (not provided).
 - For wooden shelf, use 4 screws **12g** with washers **22** and nuts **23**, provided.

FIXING THE FRAME

If you wish to adjust the height of the frame, proceed as follows:

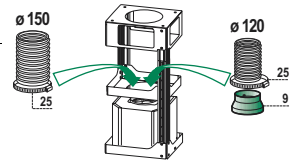
- Unfasten the metric screws joining the two columns, located at the sides of the frame.
- Adjust the frame to the height required, then replace all the screws removed as above.
- Fix the Fixing Part of the Upper Chimney **26** to the hanging kit using the 2 screws **12w** (M3 x 8).
- Lift up the frame, fit the frame slots onto the screws up to the slot end positions.
- Tighten the two screws and fasten the other two screws provided; before locking the screws completely, it is possible to adjust the frame by turning it, making sure that the screws do not come out of their housing in the adjustment slot.
- It is now possible to place and tighten the 4 safety screws, Proceed as follows:
 - drill the ceiling with a 10 mm \varnothing bit taking as reference the holes of the side parts of the upper chimney fixing part.
 - insert the 4 dowels (provided).
 - insert the washers (provided) to the screws and tighten the screws
- The Frame must be securely fastened so as to support both the weight of the Hood and the stress caused by occasional axial pressure against the fitted Appliance. After fixing, make sure that the base is stable even when the Frame is subjected to lateral stress.
- If the Ceiling is not strong enough in the area where the hood is to be fixed, the Installer must strengthen the area using suitable plates and counterplates anchored to resistant structures.



Ducted version air exhaust system Connection

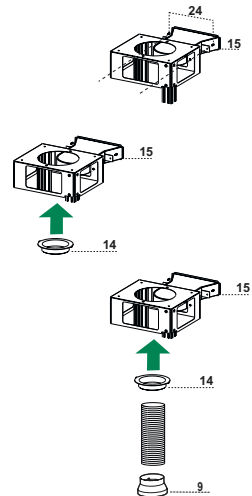
When installing the ducted version, connect the hood to the chimney using either a flexible or rigid pipe \varnothing 150 or 120 mm, the choice of which is left to the installer.

- To install a \varnothing 120 mm air exhaust connection, insert the reducer flange **9** on the hood body outlet.
- Fix the pipe using the pipe clamps **25** provided.
- Remove any activated charcoal filters.



RECIRCULATION VERSION AIR OUTLET

- Insert the reducer flange **9** on the air outlet of the extractor.
- Attach the adhesive Novastik gasket **13** to the air outlet connection **15** and fix this to the upper frame using the 2 knobs **24**.
- Fix the air outlet connection extension piece **14** to the air outlet connection **15**.
- Connect the hood air outlet to the flange in the lower part of the junction using a rigid or flexible \varnothing 120 tube (by installer's choice).



Flue assembly - Mounting the hood body

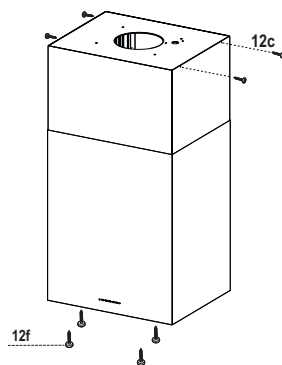
- Insert the upper duct and fix it on the top of the upper duct connection using the **12c** screws (2.9 x 9.5) supplied with the appliance.

Recirculation version

- It is necessary to make sure that the air outlet connection **15** is placed correctly so that the air outlet grid in it corresponds to that of the chimney.
- If the grids of the two parts are not corresponding to each other, it will be necessary to remove the chimney and to adjust the position of the air outlet connection **15**, and at last to assemble the parts again by following the earlier indications.

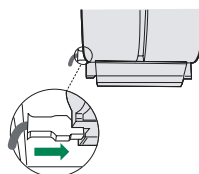
Before fixing the hood body to the frame:

- Open the suction panel by turning the specific knob.
- Disconnect the panel from the hood canopy by sliding the fixing pin lever.
- Remove the grease filters from the hood body.
- Remove any activated charcoal filters.
- From below, use the 4 screws **12f** (M6 x 10) provided to fix the hood body to the frame.



ELECTRICAL CONNECTION

- Connect the Hood to the mains power supply, inserting a two-pole cut-out switch with contact aperture of at least 3 mm along the line.
- Pull the Comfort Panel to open it, ensure that the supply cable connector is properly inserted into the Suction device socket
- Join the connectors.
- Install the odour filter and the charcoal filter in case the hood is to be used in recycling version.
- Install the grease filter again, and successively the suction panel.



USE



Control board

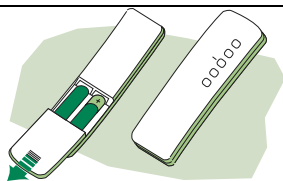
Key	Function	Display
A	Switches the extractor motor on and off at the latest selected speed	Indicates the selected speed.
B	Decreases the suction speed.	
C	Increases the suction speed.	
D	By pressing this key it is possible to activate the intensive speed from any previously selected speed. The intensive speed can be activated even when the motor is OFF. This speed has been timed at 10 minutes. After that time the system activates automatically the latest selected speed. This function is suitable for cooking conditions when vapours and smells are of the utmost emission.	HI appears. The spot down on the right side flashes once a second.
E	By pressing this key it is possible to set up the motor to a suction speed at 100 m ³ /h lasting 10 minutes every hour. After this the motor switches off automatically. When the filter saturation is going on it is possible to reset the alarm by pressing this key for about 3 seconds. The indication is visible only when the motor is off.	Indicates the 24-function . The spot down on the right side flashes and the motor is on. Once the process is finished the previous indication disappears: FF Indicates that the metal grease filters saturation alarm has been triggered, and the filters need to be washed. The alarm is triggered after 100 working hours. EF Indicates that the charcoal filter saturation alarm has been triggered, and the filter has to be replaced; the metal grease filters must also be washed. The charcoal filter is triggered after 200 working hours.
F	By pressing this key it is possible to set the delayed shutdown of the appliance to 30 minutes. This function is suitable for a complete elimination of the residual smells. It can be activated at any position, and it is deactivated by pressing the key again or by switching off the motor.	Indicates alternately the selected speed of the hood and the time left before the hood shutdown. The spot down on the right side flashes.
G	Turns light on and off .	
H	Turns light on and off at reduced intensity.	

MAINTENANCE

REMOTE CONTROL (OPTIONAL)

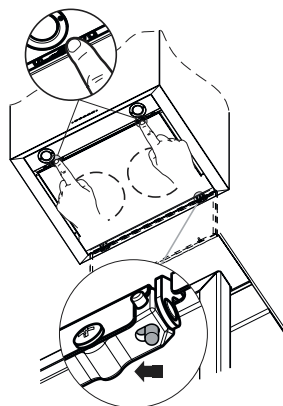
The appliance can be controlled using a remote control powered by a 1.5 V carbon-zinc alkaline batteries of the standard LR03-AAA type.

- Do not place the remote control near to heat sources.
- Used batteries must be disposed of in the proper manner.



Cleaning the Comfort Panels

- Pull the Comfort Panel to open it.
- Disconnect the panel from the hood canopy by sliding the fixing pin lever.
- The comfort panel must never be washed in a dishwasher.
- Clean the outside using a damp cloth and neutral liquid detergent.
- Clean the inside as well using a damp cloth and neutral detergent; do not use wet cloths or sponges, or jets of water; do not use abrasive substances.
- When the above operation has been completed, hook the panel back to the hood canopy and close it by turning the knob in the opposite direction.



Metal grease filters

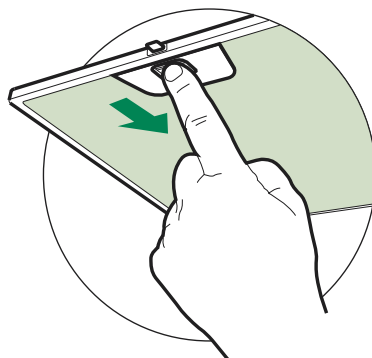
Filters can be washed in the dish machine. They need to be washed when **FF**-sign appears on the display or in any case every 2 months, or even more frequently in case of particularly intensive use of the hood.

Alarm reset

- Switch off the hood and the lights. If the 24h-function has been activated this has to be deactivated.
- Press the **E**-key till the display is unlit.

Cleaning the filters

- Pull the comfort panels to open them.
- Remove the filters one by one pushing them towards the back side of the hood unit and simultaneously pulling downwards.
- Any kind of bending of the filters has to be avoided when washing them. Before fitting them again into the hood make sure that they are completely dry. (The colour of the filter surface may change throughout the time but this has no influence to the filter efficiency).
- When fitting the filters into the hood pay attention that they are mounted in correct position the handle facing outwards.
- Close the comfort panel.



Charcoal filter (recycling version)

- This filter cannot be washed or regenerated. It must be replaced when the **EF** appears on the display or at least once every 4 months.

Activation of the alarm signal

- In the recycling version hoods the filter saturation alarm must be activated during the installation or later.
- Switch off the hood and the lights.
- Disconnect the hood from the mains supply.
- When restoring the connection press and hold **B**-key.
- When releasing the key two rotating rectangles appear on the display.
- **Within 3 seconds** press the **B**-key until a flashing confirmation appears on the display:
 - 2 flashes with **EF** - charcoal filter saturation alarm **ACTIVATED**
 - 1 flash with **EF** - charcoal filter saturation alarm **DEACTIVATED**.

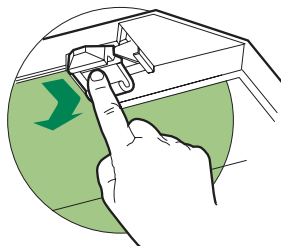
REPLACING THE CHARCOAL FILTER

Reset of the alarm signal

- Switch off the hood and the lighting. If the 24h-function has been activated this has to be deactivated.
- Press the E-key until the display is unlit.

Replacing of the filter

- Open the comfort panels pulling them downwards.
- Remove the metal grease filters.
- Remove the saturated charcoal filter by releasing the fixing hooks
- Fit the new filter and fasten it in its correct position.
- Put the metal grease filters in their seats.
- Close the comfort panels.



Lighting

LIGHT REPLACEMENT

20 W halogen light.

- Remove the snap-on lamp cover by levering it from under the metal ring, supporting it with one hand.
- Remove the halogen lamp from the lamp holder by pulling gently.
- Replace the lamp with a new one of the same type, making sure that you insert the two pins properly into the housings on the lamp holder.
- Replace the snap-on lamp cover.



CONSIGLI E SUGGERIMENTI

⚠ Questo libretto di istruzioni per l'uso è previsto per più versioni dell'apparecchio. Possibile che siano descritti singoli particolari della dotazione, che non riguardano il Vostro apparecchio.

INSTALLAZIONE


- Il produttore declina qualsiasi responsabilità per danni dovuti ad installazione non corretta o non conforme alle regole dell'arte.
- La distanza minima di sicurezza tra il Piano di cottura e la Cappa deve essere di 650 mm.
- Verificare che la tensione di rete corrisponda a quella riportata nella targhetta posta all'interno della Cappa.
- Per Apparecchi in Classe II accertarsi che l'impianto elettrico domestico garantisca un corretto scarico a terra.
- Collegare la Cappa all'uscita dell'aria aspirata con tubazione di diametro pari o superiore a 120 mm. Il percorso della tubazione deve essere il più breve possibile.
- Non collegare la Cappa a condotti di scarico dei fumi prodotti da combustione (caldaie, caminetti, ecc.).
- Nel caso in cui nella stanza vengano utilizzati sia la Cappa che apparecchi non azionati da energia elettrica (ad esempio apparecchi utilizzatori di gas), si deve provvedere ad una aerazione sufficiente dell'ambiente. Se la cucina ne fosse sprovvista, praticare un'apertura che comunichi con l'esterno, per garantire il richiamo d'aria pulita.

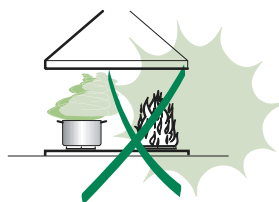
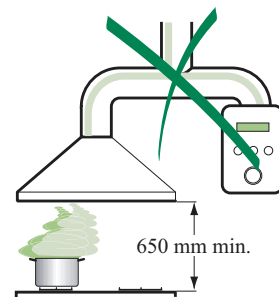
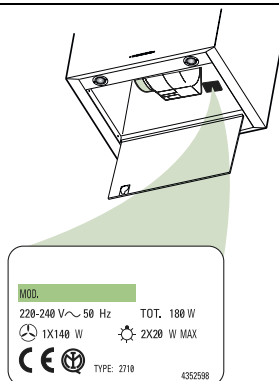
USO

- La Cappa è stata progettata esclusivamente per uso domestico, per abbattere gli odori della cucina.
- Non fare mai uso improprio della Cappa.
- Non lasciare fiamme libere a forte intensità sotto la Cappa in funzione.
- Regolare sempre le fiamme in modo da evitare una evidente fuoriuscita laterale delle stesse rispetto al fondo delle pentole.
- Controllare le friggitorie durante l'uso: l'olio surriscaldato potrebbe infiammarsi.
- Non preparare alimenti fiammè sotto la cappa da cucina; pericolo d'incendio.
- Questo apparecchio non deve essere utilizzato da persone (bambini inclusi) con ridotte capacità psichiche, sensoriali o mentali, oppure da persone senza esperienza e conoscenza, a meno che non siano controllati o istruiti all'uso dell'apparecchio da persone responsabili della loro sicurezza.
- I bambini devono essere supervisionati per assicurarsi che non giochino con l'apparecchio.

MANUTENZIONE

- Prima di procedere a qualsiasi operazione di manutenzione, disinserire la Cappa togliendo la spina elettrica o spegnendo l'interruttore generale.
- Effettuare una scrupolosa e tempestiva manutenzione dei Filtri secondo gli intervalli consigliati.
- Per la pulizia delle superfici della Cappa è sufficiente utilizzare un panno umido e detergente liquido neutro.

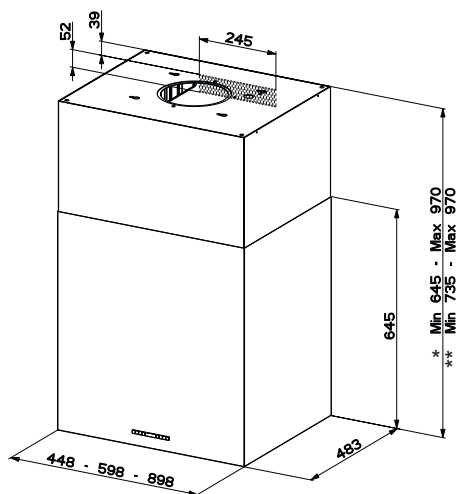
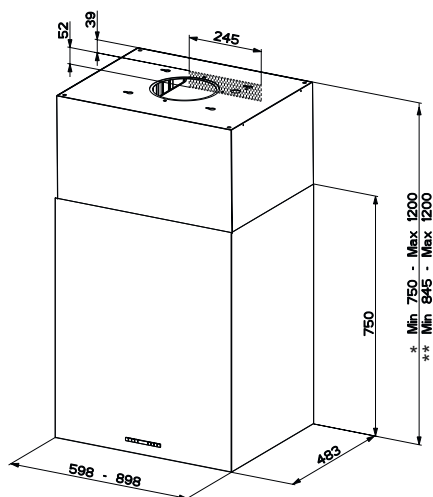
Il simbolo  sul prodotto o sulla confezione indica che il prodotto non deve essere considerato come un normale rifiuto domestico, ma deve essere portato nel punto di raccolta appropriato per il riciclaggio di apparecchiature elettriche ed elettroniche. Provvedendo a smaltire questo prodotto in modo appropriato, si contribuisce a evitare potenziali conseguenze negative per l'ambiente e per la salute, che potrebbero derivare da uno smaltimento inadeguato del prodotto. Per informazioni più dettagliate sul riciclaggio di questo prodotto, contattare l'ufficio comunale, il servizio locale di smaltimento rifiuti o il negozio in cui è stato acquistato il prodotto.



CARATTERISTICHE

Ingombro

Le dimensioni variano a seconda della versione scelta

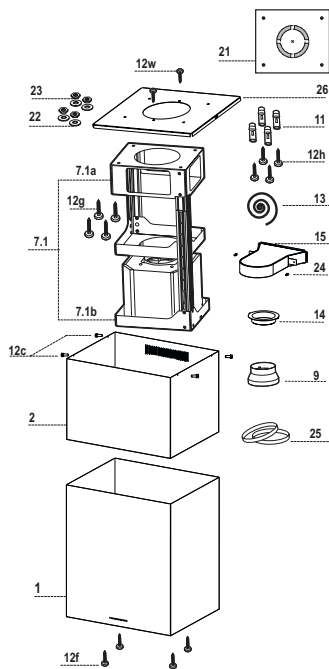


* Dimensioni per cappa in versione aspirante.

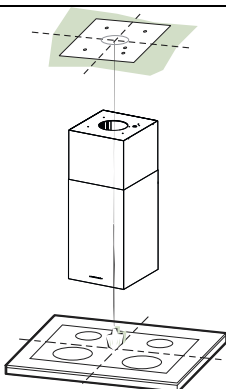
** Dimensioni per cappa in versione filtrante.

Componenti

Rif.	Q.tà	Componenti di Prodotto
1	1	Corpo Cappa completo di: Comandi, Luce, Gruppo Ventilatore, Filtri, Camino Inferiore
2	1	Camino Superiore
7.1	1	Traliccio telescopico completo di Aspiratore, formato da:
7.1a	1	Traliccio superiore
7.1b	1	Traliccio inferiore
9	1	Flangia di Riduzione \varnothing 150-120 mm (Opzionale)
13	1	Guarnizione Adesiva Novastik
14	1	Flangia per Raccordo Uscita Aria
15	1	Raccordo Uscita Aria
25	2	Fascette stringitubo
26	1	Attacco Camino Superiore
Rif.	Q.tà	Componenti di Installazione
11	4	Tasselli \varnothing 10
12c	4	Viti 2,9 x 9,5
12f	4	Viti M6 x 10
12g	4	Viti M6 x 80
12h	4	Viti 5,2 x 70
12w	2	Viti M3 x 8
21	1	Dima di foratura
22	4	Rondelle \varnothing 6,4
23	4	Dadi M6
24	2	Pomelli fissaggio Raccordo Uscita Aria
Q.tà	Documentazione	
1	Libretto Istruzioni	



INSTALLAZIONE



Foratura Soffitto/Mensola e Fissaggio Traliccio

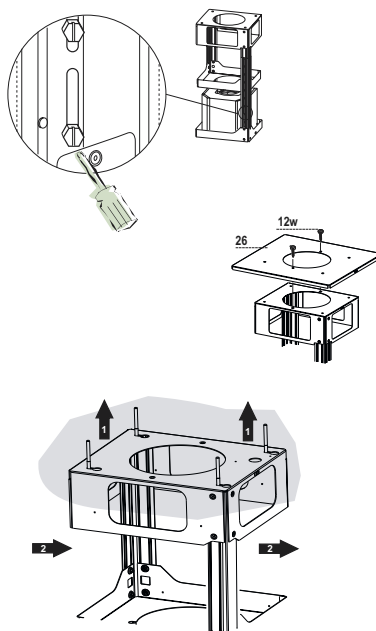
FORATURA SOFFITTO/MENSOLA

- Con l'ausilio di un Filo a piombo riportare sul Soffitto/Mensola di supporto il centro del Piano di Cottura.
- Appoggiare al Soffitto/Mensola la Dima di Foratura **21** in dotazione, facendo coincidere il suo centro al centro proiettato e allineando gli assi della Dima agli assi del Piano di Cottura.
- Segnare i centri dei Fori della Dima.
- Forare i punti seguenti:
 - Soffitto in Calcestruzzo massiccio: secondo Tasselli per Calcestruzzo impiegati.
 - Soffitto in Laterizio a camera d'aria, con spessore resistente di 20 mm: \varnothing 10 mm (inserire subito i Tasselli **11** in dotazione).
 - Soffitto in Travatura di Legno: secondo Viti per Legno impiegate.
 - Mensola in Legno: \varnothing 7 mm.
 - Passaggio del Cavo elettrico di Alimentazione: \varnothing 10 mm.
 - Uscita Aria (Versione Aspirante): secondo diametro del collegamento alla Tubazione di Evacuazione Esterna.
- Avvitare, incrociandole e lasciando 4-5 mm dal soffitto, due viti:
 - per Calcestruzzo massiccio, Tasselli per Calcestruzzo, non in dotazione.
 - per Laterizio a camera d'aria, con spessore resistente di 20 mm circa, Viti **12h**, in dotazione.
 - per Travatura di legno, Viti per legno, non in dotazione.
 - per Mensola in Legno, viti **12g** con Rondelle **22** e Dadi **23**, in dotazione.

FISSAGGIO TRALICCIO

Nel caso in cui si voglia regolare l'altezza del traliccio :

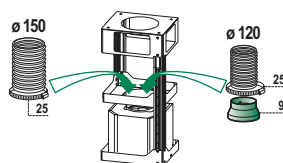
- Svitare le viti che uniscono le due colonne.
- Regolare il traliccio all'altezza desiderata e riavvitare le viti.
- Unire l'Attacco Camino Superiore **26** al traliccio superiore tramite le 2 Viti **12w** (M3 x 8).
- Sollevare il traliccio, incastrare le asole sulle viti e scorrere fino a battuta. A questo punto il traliccio si regge da solo
- Stringere le due viti e avvitare le altre due in dotazione sulla piastra superiore;
Prima di serrare definitivamente le viti è possibile effettuare delle regolazioni spostando il traliccio, facendo attenzione che le viti non escano dalla sede dell'asola di regolazione.
- Ora è possibile avvitare 4 viti di sicurezza, per farlo, procedere come indicato:
 - forare con una punta $\varnothing 10$ il soffitto utilizzando i fori posti sui lati dell'attacco camino superiore.
 - Inserire 4 tasselli in dotazione
 - Inserire le Rondelle in dotazione nelle viti e serrare.
- Il fissaggio del Traliccio deve essere sicuro in relazione sia al peso della Cappa sia alle sollecitazioni causate da occasionali spinte laterali all'Apparecchio montato. A fissaggio avvenuto verificare quindi che la base sia stabile anche se il Traliccio è sollecitato a flessione.
- In tutti i casi in cui il Soffitto non fosse sufficientemente robusto sul punto di sospensione, l'Installatore dovrà provvedere a irrobustirlo con opportune piastre e contropiastre ancorate a parti strutturalmente resistenti.



Connessione Uscita aria Versione Aspirante

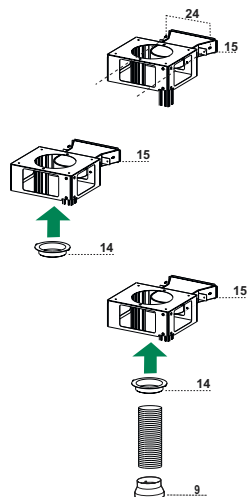
Per installazione in Versione Aspirante collegare la Cappa alla tubazione di uscita per mezzo di un tubo rigido o flessibile di \varnothing 150 o 120 mm, la cui scelta è lasciata all'installatore.

- Per collegamento con tubo \varnothing 120 mm, inserire la Flangia di riduzione **9** sull'Uscita del Corpo Cappa.
- Fissare il tubo con adeguate fascette stringitubo **25** in dotazione.
- Rimuovere eventuali filtri al carbone attivo.



USCITA ARIA VERSIONE FILTRANTE

- Inserire la Flangia di riduzione **9** sull'uscita dell'Aspiratore.
- Attaccare la Guarnizione Adesiva Novastik **13** sul Raccordo Uscita Aria **15** e fissarlo al traliccio superiore tramite i 2 Pomelli **24**.
- Attaccare la Flangia Raccordo Uscita Aria **14** al Raccordo Uscita Aria **15**.
- Collegare l'uscita aria della cappa con la flangia posta sotto al raccordo per mezzo di un tubo rigido o flessibile \varnothing 120mm, la cui scelta è lasciata all'installatore.



Montaggio Camino e Fissaggio Corpo Cappa

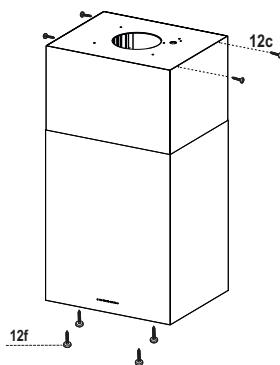
- Inserire il Camino superiore e fissarlo nella parte superiore all'Attacco Camino Superiore con le Viti **12c** (2,9 x 9,5) in dotazione.

Versione filtrante

- Assicurarsi che il Raccordo Uscita Aria **15** sia in corrispondenza della Grigliatura del Camino.
- Se così non fosse, rimuovere il camino e aggiustare la posizione del Raccordo Uscita Aria **15**; rimontare quindi i particolari come prima descritto.

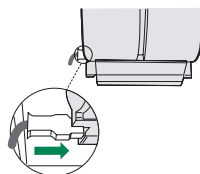
Prima di fissare il Corpo Cappa al Traliccio:

- Aprire il pannello aspirante tirandolo.
- Sganciare il pannello dal corpo cappa facendo scorrere l'apposita leva del perno di fissaggio.
- Togliere i Filtri antigrasso dal Corpo Cappa.
- Togliere eventuali Filtri Antiodore al Carbone attivo.
- Fissare quindi dal sotto, con 4 viti **12f** in dotazione, il Corpo Cappa al Traliccio predisposto.



CONNESSIONE ELETTRICA

- Collegare la Cappa all'Alimentazione di Rete interponendo un Interruttore bipolare con apertura dei contatti di almeno 3 mm.
- Aprire il Pannello Aspirante e i filtri antigrasso, assicurarsi che il connettore del Cavo di alimentazione sia correttamente inserito nella presa dell'Aspiratore
- Effettuare i collegamenti dei Connettori
- Per la Versione Filtrante montare il Filtro Antiodore al Carbone attivo.
- Rimontare i Filtri Antigrasso e il Pannello Aspirante.





Quadro comandi

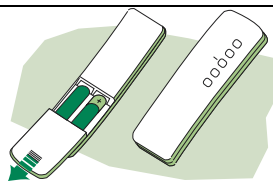
Tasto	Funzione	Display
A	Accende e spegne il motore di aspirazione all'ultima velocità utilizzata.	Visualizza la velocità impostata
B	Decrementa la velocità di esercizio.	
C	Incrementa la velocità di esercizio.	
D	Attiva la velocità intensiva da qualsiasi velocità anche da motore spento, tale velocità è temporizzata a 10 minuti, al termine del tempo il sistema ritorna alla velocità precedentemente impostata. Adatta a fronteggiare le massime emissioni di fumi di cottura.	Visualizza HI e il punto in basso a destra lampeggia una volta al secondo.
E	Attiva il motore ad una velocità che consente un'aspirazione di 100 m ³ /h per 10 minuti ogni ora, terminati il motore si ferma. Con l'allarme filtri in corso premendo il tasto per circa 3 secondi si effettua il reset dell'allarme. Tali segnalazioni sono visibili solo a motore spento.	Visualizza 24 e il punto in basso a destra lampeggia, mentre il motore è in funzione Terminata la procedura si spegne la segnalazione precedentemente visualizzata: FF segnala la necessità di lavare i filtri anti-grasso metallici. L'allarme entra in funzione dopo 100 ore di lavoro effettivo della Cappa. EF segnala la necessità di sostituire i filtri al carbone attivo e devono anche essere lavati i filtri anti-grasso metallici. L'allarme entra in funzione dopo 200 ore di lavoro effettivo della Cappa.
F	Attiva lo spegnimento automatico ritardato di 30'. Adatto per completare l'eliminazione di odori residui. Attivabile da qualsiasi posizione, si disattiva premendo il tasto o spegnendo il motore.	Visualizza alternativamente la velocità di esercizio e il tempo rimanente allo spegnimento della cappa. Il punto in basso a destra lampeggia.
G	Accende e spegne l'impianto di illuminazione.	
H	Accende e spegne l'impianto di illuminazione ad intensità ridotta.	

MANUTENZIONE

TELECOMANDO (OPZIONALE)

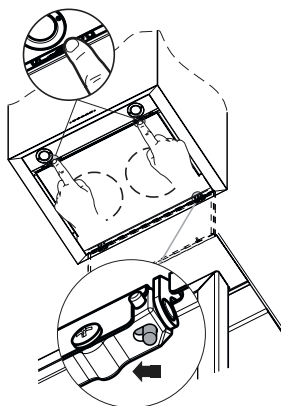
Questo apparecchio può essere comandato per mezzo di un telecomando, alimentato con pile alcaline zinco-carbone da 1,5 V del tipo standard LR03-AAA.

- Non riporre il telecomando in prossimità di fonti di calore.
- Non disperdere le pile nell'ambiente, depositarle negli appositi contenitori.



Pulizia dei Comfort Panel

- Aprire il Comfort Panel tirandolo.
- Sganciare il pannello dal corpo cappa facendo scorrere l'apposita leva del perno di fissaggio.
- Il comfort panel non va assolutamente lavato in lavastoviglie.
- Pulirlo esternamente con un panno umido e detersivo liquido neutro.
- Pulirlo anche internamente utilizzando un panno umido e detergente neutro; non utilizzare panni o spugne bagnate, né getti d'acqua; non utilizzare sostanze abrasive.
- Ad operazione ultimata riagganciare il pannello al corpo cappa e richiuderlo.



Filtri antigrasso metallici

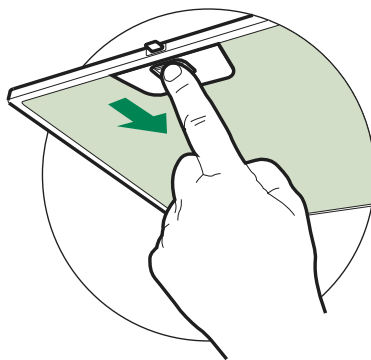
Sono lavabili anche in lavastoviglie, e necessitano di essere lavati quando sul display appare **FF** o almeno ogni 2 mesi circa di utilizzo o più frequentemente, per un uso particolarmente intenso.

Reset del segnale di allarme

- Spegnerle le Luci e il Motore di aspirazione, quindi qualora fosse attivata la funzione 24h disattivarla.
- Premere il tasto **E** sino allo spegnersi del display.

Pulizia Filtri

- Aprire i Comfort Panel tirandoli.
- Togliere i Filtri uno alla volta, spingendoli verso la parte posteriore del gruppo e tirando contemporaneamente verso il basso.
- Lavare i Filtri evitando di piegarli, e lasciarli asciugare prima di rimontarli. (Un'eventuale cambiamento del colore della superficie del filtro, che potrebbe verificarsi nel tempo, non pregiudica assolutamente l'efficienza dello stesso.)
- Rimontarli facendo attenzione a mantenere la maniglia verso la parte visibile esterna.
- Richiudere i comfort panel.



Filtri antiodore al Carbone attivo (Versione Filtrante)

- Non è lavabile e non è rigenerabile, va sostituito quando sul display appare **EF** o almeno ogni 4 mesi.

Attivazione del segnale di allarme

- Nelle Cappe in Versione Filtrante, la segnalazione di Allarme saturazione Filtri va attivata al momento dell'installazione o successivamente.
- Spegnerne le Luci e il Motore di aspirazione.
- Scollegare la cappa dall'alimentazione di rete.
- Ripristinare il collegamento tenendo premuto il tasto **B**.
- Rilasciando il tasto sul display compaiono due rettangoli in rotazione.
- **Entro 3 secondi** premere il Tasto **B** sino alla conferma che appare sul display:
 - 2 lampeggi scritta **EF** - Allarme saturazione Filtro Carbone attivo **ATTIVATO**
 - 1 lampeggio scritta **EF** - Allarme saturazione Filtro al Carbone attivo **DISATTIVATO**.

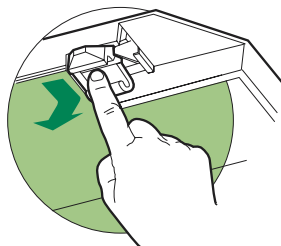
SOSTITUZIONE FILTRO ANTIODORE AL CARBONE ATTIVO

Reset del segnale di allarme

- Spegnerne le Luci e il Motore di aspirazione, quindi qualora fosse attivata la funzione 24h disattivarla.
- Premere il tasto **E** sino allo spegnersi del display.

Sostituzione Filtro

- Aprire i Comfort Panel tirandoli.
- Togliere i Filtri antigrasso metallici.
- Rimuovere il Filtro antiodore al Carbone attivo saturo, agendo sugli appositi agganci.
- Montare il nuovo Filtro agganciandolo nella sua sede.
- Rimontare i Filtri antigrasso metallici.
- Richiudere i Comfort Panel.

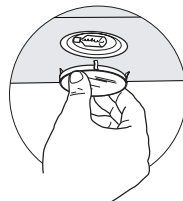


Illuminazione

SOSTITUZIONE LAMPADE

Lampade alogene da 20 W

- Togliere il bloccavetro metallico a pressione facendo leva sotto la ghiera, sostenendolo con una mano.
- Estrarre la lampadina alogena dal portalampada.
- Sostituirla con una nuova lampadina di uguali caratteristiche, facendo attenzione ad inserire correttamente i due spinotti nella sede del portalampade.
- Rimontare il bloccavetro a pressione.



CONSEILS ET SUGGESTIONS

⚠ La présente notice d'emploi vaut pour plusieurs versions de l'appareil. Elle peut contenir des descriptions d'accessoires ne figurant pas dans votre appareil.

INSTALLATION


- Le fabricant décline toute responsabilité en cas de dommage dû à une installation non correcte ou non conforme aux règles de l'art.
- La distance minimale de sécurité entre le plan de cuisson et la hotte doit être de 650 mm au moins.
- Vérifier que la tension du secteur correspond à la valeur qui figure sur la plaquette apposée à l'intérieur de la hotte.
- Pour les Appareils appartenant à la 1ère Classe, veiller à ce que la mise à la terre de l'installation électrique domestique ait été effectuée conformément aux normes en vigueur.
- Connecter la hotte à la sortie d'air aspiré à l'aide d'une tuyauterie d'un diamètre égal ou supérieur à 120 mm. Le parcours de la tuyauterie doit être le plus court possible.
- Eviter de connecter la hotte à des conduites d'évacuation de fumées issues d'une combustion tel que (Chaudière, cheminée, etc...).
- Si vous utilisez des appareils qui ne fonctionnent pas à l'électricité dans la pièce ou est installée la hotte (par exemple: des appareils fonctionnant au gaz), vous devez prévoir une aération suffisante du milieu. Si la cuisine en est dépourvue, pratiquez une ouverture qui communique avec l'extérieur pour garantir l'infiltration de l'air pur.

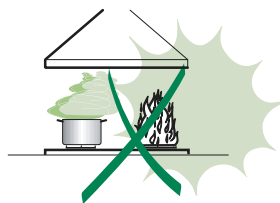
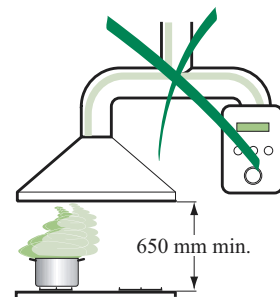
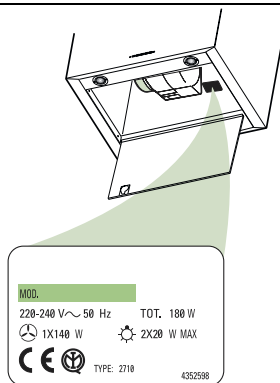
UTILISATION

- La hotte a été conçue exclusivement pour l'usage domestique, dans le but d'éliminer les odeurs de la cuisine.
- Ne jamais utiliser abusivement la hotte.
- Ne pas laisser les flammes libres à forte intensité quand la hotte est en service.
- Toujours régler les flammes de manière à éviter toute sortie latérale de ces dernières par rapport au fond des marmites.
- Contrôler les friteuses lors de l'utilisation car l'huile surchauffée pourrait s'enflammer.
- Ne pas préparer d'aliments flambés sous la hotte de cuisine : risque d'incendie
- Cet appareil ne doit pas être utilisé par des personnes (y compris les enfants) ayant des capacités psychiques, sensorielles ou mentales réduites, ni par des personnes n'ayant pas l'expérience et la connaissance de ce type d'appareils, à moins d'être sous le contrôle et la formation de personnes responsables de leur sécurité.
- Les enfants doivent être surveillés pour s'assurer qu'ils ne jouent pas avec l'appareil.

ENTRETIEN

- Avant de procéder à toute opération d'entretien, retirer la hotte en retirant la fiche ou en actionnant l'interrupteur général.
- Effectuer un entretien scrupuleux et en temps dû des Filtres, à la cadence conseillée.
- Pour le nettoyage des surfaces de la hotte, il suffit d'utiliser un chiffon humide et déterfisant liquide neutre.

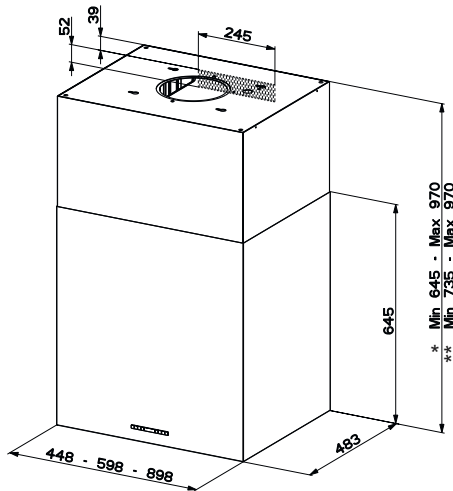
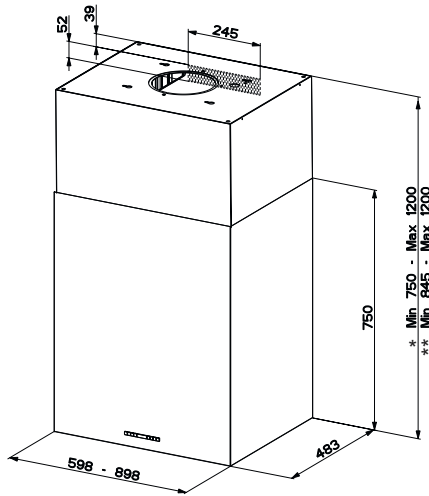
Le symbole  sur le produit ou son emballage indique que ce produit ne peut être traité comme déchet ménager. Il doit plutôt être remis au point de ramassage concerné, se chargeant du recyclage du matériel électrique et électronique. En vous assurant que ce produit est éliminé correctement, vous favorisez la prévention des conséquences négatives pour l'environnement et la santé humaine qui, sinon, seraient le résultat d'un traitement inapproprié des déchets de ce produit. Pour obtenir plus de détails sur le recyclage de ce produit, veuillez prendre contact avec le bureau municipal de votre région, votre service d'élimination des déchets ménagers ou le magasin où vous avez acheté le produit.



CARACTERISTIQUES

Encombrement

Les dimensions varient selon la version que vous allez choisir

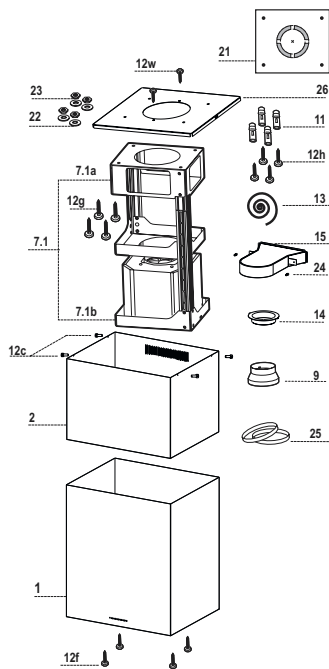


* Dimensions pour hotte en version aspirante.

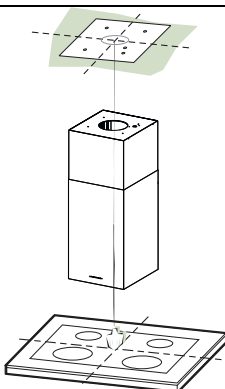
** Dimensions pour hotte en version filtrante.

Composants

Réf.	Q.té	Composants de Produit
1	1	Corps Hotte équipé de: Comandes, Lumière, Filtres
2	1	Cheminée Supérieure
7.1	1	Treillis télescopique avec Aspirateur, formé par:
7.1a	1	Treillis supérieur
7.1b	1	Treillis inférieur
9	1	Flasque de Réduction ø 150-120 mm (Opcional)
13	1	Joint
14	1	Rallonge Sortie Air Corps Hotte
15	1	Raccord Sortie Air
25	2	Colliers de serrage serre-tube
26	1	Fixation de la Cheminée Supérieur
Réf.	Q.té	Composants pour l'installation
11	4	Cheilles ø 10
12c	4	Vis 2,9 x 9,5
12f	4	Vis M6 x 15
12g	4	Vis M6 x 80
12h	4	Vis 5,2 x 70
12w	2	Vis M3 x 8
21	1	Gabarit de perçage
22	4	Rondelles øi 6,4
23	4	Écrous M6
24	2	Pommeaux de fixation Raccord Sortie de l'Air
Q.té	Documentation	
1	Manuel d'instructions	



INSTALLATION



Perçage Plafond/Étagère et Fixation Treillis

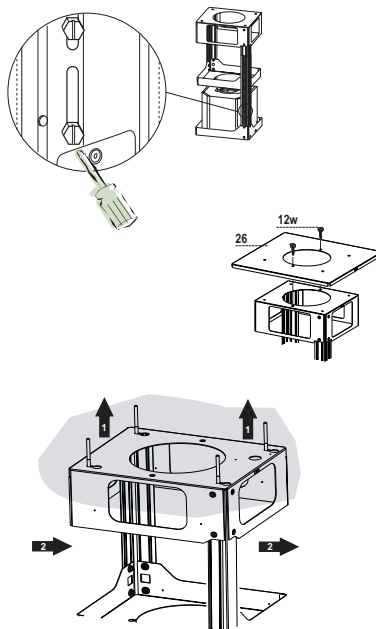
PERÇAGE PLAFOND/ETAGERE

- À l'aide d'un Fil à plomb, reporter sur le Plafond/Étagère de support le centre du Plan de Cuisson.
- Poser contre le Plafond/Étagère le Gabarit de Perçage **21** fourni avec l'appareil, en faisant coïncider son centre avec le centre projeté et en alignant les axes du Gabarit avec les axes du Plan de Cuisson.
- Marquer les centres des Trous du Gabarit.
- Percer les trous qui ont été marqués:
 - Plafond en Béton massif: en fonction des Goujons pour Béton utilisés.
 - Plafond en Briques avec chambre à air, avec épaisseur résistante de 20 mm: \varnothing 10 mm (insérer immédiatement les Chevilles **11** fournies avec l'appareil).
 - Plafond en Poutrage en Bois: en fonction des Vis à Bois utilisées.
 - Étagère en Bois: \varnothing 7 mm.
 - Passage du Câble électrique d'Alimentation: \varnothing 10 mm.
 - Sortie Air (Version Aspirante): en fonction du diamètre de la connexion avec les Tuyaux d'Évacuation Externe.
- Visser deux vis en les croisant et en laissant 4-5 mm. de distance par rapport au plafond:
 - pour le Béton massif, des Goujons pour Béton, non fournis avec l'appareil.
 - pour Briques percées, ayant une épaisseur résistante de 20 mm. environ, utiliser les Vis **12h**, fournies avec l'appareil.
 - pour le Poutrage en bois, 4 Vis à bois, non fournies avec l'appareil.
 - pour l'Étagère en Bois, 4 Vis **12g** avec Rondelles **22** et Écrous **23**, fournis avec l'appareil.

FIXATION DU TREILLIS

Si l'on souhaite régler la hauteur du treillis, effectuer les opérations suivantes:

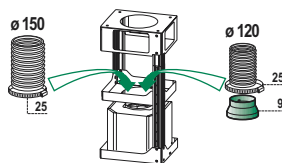
- Dévisser les vis métriques qui unissent les deux colonnes, qui se trouvent sur les côtés du treillis.
- Régler la hauteur souhaitée du treillis et revisser les vis qui ont été précédemment retirées.
- Fixer la Fixation de la Cheminée Supérieure **26** au treillis à l'aide des 2 Vis **12w** (M3 x 8).
- Soulever le treillis, encastrer les oeillets sur les vis et faire coulisser jusqu'à la butée;
- Serrer les deux vis et visser les deux autres vis fournies avec l'appareil; avant de serrer définitivement les vis, il est possible d'effectuer des réglages en tournant le treillis, en veillant à ce que les vis ne sortent pas du logement de l'oeillet de réglage.
- Maintenant il est possible de visser les 4 vis de sécurité; pour effectuer cette opération, suivre les instructions suivantes :
 - percer le plafond, avec une mèche de $\varnothing 10$, en utilisant les trous qui se trouvent sur les côtés du dispositif de fixation de la cheminée supérieure.
 - Insérer les 4 chevilles fournies avec l'appareil.
 - Insérer les Rondelles fournies avec l'appareil dans les vis, puis serrer.
- La fixation du Treillis doit être effectuée de façon sûre, en fonction du poids de la Hotte et des contraintes provoquées par des poussées latérales occasionnelles de l'Appareil monté. Après avoir effectué la fixation, vérifier que la base soit stable, même si le Treillis est soumis à des contraintes de flexion.
- Dans toutes les éventualités selon lesquelles le Plafond ne serait pas suffisamment robuste en correspondance du point de suspension, l'Installateur devra se charger de le rendre plus solide avec des plaques et contre-plaques appropriées, ancrées aux parties résistantes, du point de vue structurel.



SORTIE AIR VERSION ASPIRANTE

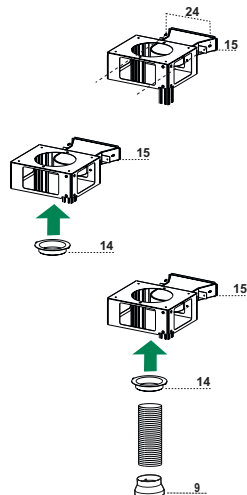
En cas d'installation en version aspirante, brancher la hotte à la tuyauterie de sortie via un tube rigide ou flexible de \varnothing 150 ou 120 mm, au choix de l'installateur.

- En cas de branchement avec un tube de \varnothing 120 mm, insérer le flasque de réduction **9** sur la sortie du corps de la hotte.
- Fixer le tuyau à l'aide des Colliers de serrage serre-tube **25** fournis avec l'appareil.
- Retirer les éventuels filtres anti-odeur au charbon actif.



SORTIE AIR VERSION FILTRANTE

- Insérer la Flasque de raccord **9** sur la sortie de l'Aspirateur.
- Fixer la Garniture Adhésive Novastik **13** sur le Raccord Sortie de l'Air **15** et fixer celle-ci au treillis supérieur, au moyen des 2 Pommeaux **24**.
- Fixer la Flasque de Raccord Sortie de l'Air **14** au Raccord Sortie de l'Air **15**.
- Joindre la sortie d'air de la hotte avec la bride placée sous la rallonge par un tuyau rigide ou flexible \varnothing 120 (le choix est de l'installateur).



Montage de la Cheminée et Fixation du Corps de la Hotte

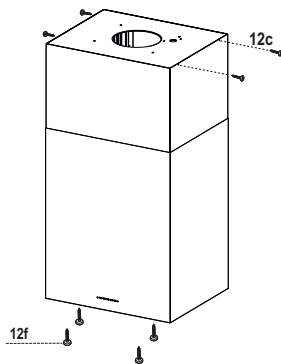
- Enfiler le conduit supérieur dans la partie supérieure du raccord du conduit supérieur et le fixer au moyen des vis **12c** (2,9 x 9,5) fournies avec l'appareil.

Version Filtrante

- S'assurer que le Raccord Sortie de l'Air **15** se trouve en correspondance de la Grille de la Cheminée.
- Si tel n'est pas le cas, retirer la cheminée et ajuster la position du Raccord Sortie de l'Air **15**; ensuite, remonter les pièces comme décrit précédemment.

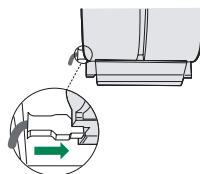
Avant de fixer le Corps de la Hotte au Treillis:

- Ouvrir le panneau aspirant, en tournant le bouton spécialement prévu.
- Décrocher le panneau du corps de la hotte, en faisant coulisser le levier de fixation spécialement prévu.
- Retirer les Filtres anti-graisse du Corps de la Hotte.
- Retirer les éventuels Filtres Anti-odeur au
- Ensuite, fixer par le bas, au moyen de 4 Vis **12f** fournies avec l'appareil, le Corps de la Hotte au Treillis prévu.



BRANCHEMENT ÉLECTRIQUE

- Brancher la Hotte au Réseau d'Alimentation, en interposant un Interrupteur bipolaire avec ouverture des contacts de 3 mm. au moins.
- Ouvrir le Comfort Panel, en tirant ce dernier s'assurer que le connecteur du Câble d'alimentation soit inséré correctement dans la prise de l'Aspirateur.
- Effectuer les connexions des connecteurs.
- Pour la Version Filtrante, monter le Filtre Anti-odeur aux Charbons actifs.
- Remonter les filtres Anti-graisse puis, par la suite, le panneau aspirant.



UTILISATION



Tableau des commandes

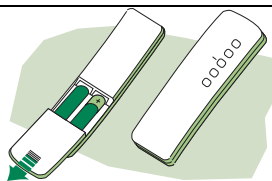
Touche	Fonction	Afficheur
A	Allume et éteint le moteur d'aspiration à la dernière vitesse utilisée	Affiche la vitesse choisie
B	Diminue la vitesse de service	
C	Augmente la vitesse de service	
D	Active la vitesse intensive à partir de n'importe quelle vitesse, même du moteur arrêté. Cette vitesse est programmée pour durer 10 minutes, après quoi le système retourne à la vitesse réglée au préalable. Sert à faire face à une quantité maximale de fumées de cuisson.	Affiche HI et le point en bas à droite clignote une fois par seconde.
E	Active le moteur à une vitesse permettant une aspiration de 100 m ³ /h pendant 10 minutes toutes les heures, puis le moteur s'arrête. Quand l'alarme filtres est déclenchée, appuyer sur cette touche pendant 3 secondes environ pour remettre l'alarme à l'état initial. Ces indications sont visibles uniquement quand le moteur est éteint.	Affiche 24 et le point en bas à droite clignote, quand le moteur fonctionne. En fin de procédure, le signal affiché précédemment s'éteint : FF indique qu'il faut laver les filtres à graisse métalliques. L'alarme se déclenche après 100 heures de fonctionnement effectif de la hotte. EF indique qu'il faut remplacer les filtres au charbon actif et laver les filtres à graisse métalliques. L'alarme se déclenche après 200 heures de fonctionnement effectif de la hotte.
F	Active l'arrêt automatique retardé de 30 minutes. Utile pour achever d'éliminer toute odeur résiduelle. S'active depuis toutes les positions et se désactive en appuyant sur la touche ou en éteignant le moteur.	Affiche tout à tour la vitesse de service et le temps restant avant l'arrêt de la hotte. Le point en bas à droite clignote.
G	Allume et éteint l'éclairage.	
H	Allume et éteint l'éclairage à intensité réduite.	

ENTRETIEN

TELECOMMANDE (FOURNIE SUR DEMANDE)

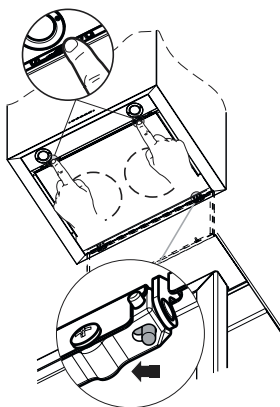
Il est possible de commander cet appareil au moyen d'une télécommande, alimentée avec des piles alcalines zinc-charbon 1,5 V du type standard LR03-AAA.

- Ne pas ranger la télécommande à proximité de sources de chaleur.
- Ne pas jeter les piles; il faut les déposer dans les récipients de collecte spécialement prévus à cet effet.



Nettoyage des Confort Panel

- Ouvrir le Confort Panel, en tirant ce dernier.
- Décrocher le panneau du corps de la hotte, en faisant coulisser le levier du goujon de fixation spécialement prévu.
- En aucun cas, le confort panel ne doit être lavé au lave-vaisselle.
- Le nettoyer à l'extérieur à l'aide d'un chiffon humide et d'un détergent liquide neutre.
- Le nettoyer également à l'intérieur, en utilisant un chiffon humide et un détergent neutre; ne pas utiliser des chiffons ou des éponges mouillées, ni des jets d'eau; ne pas utiliser des substances abrasives.
- Lorsque l'opération est achevée, accrocher à nouveau le panneau sur le corps de la hotte, puis le refermer, en tournant le bouton dans le sens inverse par rapport à l'ouverture.



Facteur de Froid

Facteur de Froid

Facteur de Froid

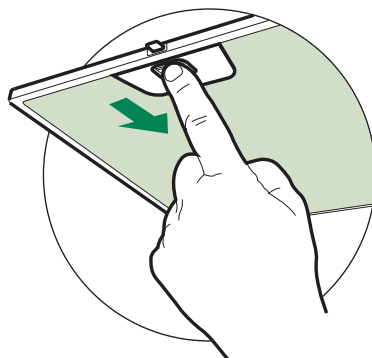
Ils sont lavables même en lave-vaisselle et doivent être lavés chaque fois que le symbole **FF** s'affiche ou environ tous les 2 mois ou plus souvent même, en cas d'utilisation particulièrement intensive.

Rétablissement du signal d'alarme

- Eteint les lumières et le moteur d'aspiration; au cas où la fonction 24h est active, il convient de la désactiver.
- Appuyer sur la touche E jusqu'à ce que l'afficheur s'éteigne.

Nettoyage des filtres

- Tirer sur les panneaux confort pour les ouvrir.
- Retirer les filtres, un à un, en les poussant vers la partie postérieure du groupe tout en tirant vers le bas.
- Laver les filtres en évitant de les plier, et les faire sécher avant de les remonter. (Tout changement de couleur sur la surface du filtre, susceptible de se produire avec le temps, ne nuit en rien à l'efficacité de ce dernier.)
- Remonter les filtres en faisant attention de tenir la poignée vers la partie externe visible.
- Refermer les panneaux confort.



Filtere anti-odeur au charbon actif (version filtrante)

- Il ne peut être ni lavé ni récupéré, il faut le changer quand **EF** s'affiche ou au moins tous les 4 mois.

Déclenchement du signal d'alarme

- Pour les Hottes en Version Filtrante, l'alarme indiquant la saturation des Filtres doit être activée au moment de l'installation ou ultérieurement.
- Éteindre les lumières et le moteur d'aspiration.
- Débrancher la hotte du réseau électrique.
- Rétablir le branchement en appuyant sur la touche **B**.
- Lâcher la touche et deux rectangles en rotation apparaissent sur l'afficheur.
- **Dans les 3 secondes** qui suivent, appuyer sur la touche **B** jusqu'à ce que s'affichent :
 - **EF** clignotant deux fois – Alarme saturation filtre charbon active **VALIDEE**.
 - **EF** clignotant un fois – Alarme saturation filtre charbon active **INVALIDEE**.

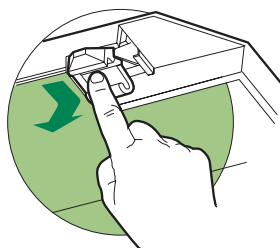
REPLACEMENT DU FILTRE ANTI-ODEUR AU CHARBON ACTIF

Rétablissement du signal d'alarme

- Éteint les lumières et le moteur d'aspiration; au cas où la fonction 24h est active, il convient de la désactiver.
- Appuyer sur la touche **E** jusqu'à ce que l'afficheur s'éteigne.

Changement des Filtres

- Tirer sur les panneaux confort pour les ouvrir.
- Retirer les filtres à graisse métalliques.
- Retirer le filtre anti-odeur au charbon actif saturé en agissant sur les crochets qui le tiennent en place.
- Mettre le nouveau filtre en l'accrochant bien en place.
- Remonter les filtres à graisse métalliques.
- Refermer les panneaux confort.

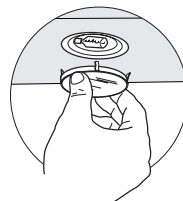


Eclairage

REPLACEMENT LAMPES

Lampe halogène de 20 W.

- Enlever le dispositif métallique de blocage du verre par encliquetage en exerçant une pression sous l'embout en le soutenant d'une main.
- Extraire la lampe du support
- Remplacer la lampe par une nouvelle ayant les mêmes caractéristiques, en prenant soin d'insérer correctement les deux fiches dans le support.
- Remonter le dispositif de blocage du verre par encliquetage.



EMPFEHLUNGEN UND HINWEISE

⚠ Diese Gebrauchsanleitung gilt für mehrere Geräte-Ausführungen. Es ist möglich, dass einzelne Ausstattungsmerkmale beschrieben sind, die nicht auf Ihr Gerät zutreffen.

MONTAGE


- Das Gerät darf nur vom Fachpersonal angeschlossen werden.
- Der Hersteller haftet nicht für Schäden, die auf eine fehlerhafte und unsachgemäße Montage zurückzuführen sind.
- Der minimale Sicherheitsabstand zwischen Kochmulde und Haube muss 650 mm betragen.
- **Prüfen, ob die Netzspannung mit dem Wert auf dem im Haubeninneren angebrachten Schild übereinstimmt.**
- Bei Geräten der Klasse I ist sicherzustellen, dass die elektrische Anlage des Wohnhauses über eine vorschriftsmäßige Erdung verfügt.
- Das Anschlussrohr der Haube zur Luftaustrittsöffnung sollte möglicherweise einen Durchmesser von 150 mm aufweisen. Der Rohrverlauf muss so kurz wie möglich sein.
- Die Haube darf an keine Entlüftungsschächte angeschlossen werden, in die Verbrennungsgase (Heizkessel, Kamine usw.) geleitet werden.
- Werden im Raum außer der Dunstabzugshaube andere, nicht elektrisch betriebene (z.B. gasbetriebene) Geräte verwendet, muss für eine ausreichende Belüftung gesorgt werden. Sollte die Küche diesbezüglich nicht entsprechen, ist an einer Aussenwand eine Öffnung anzubringen, die Frischluftzufuhr gewährleistet.

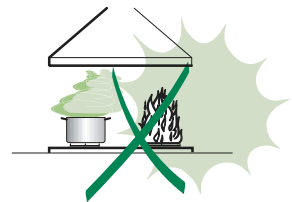
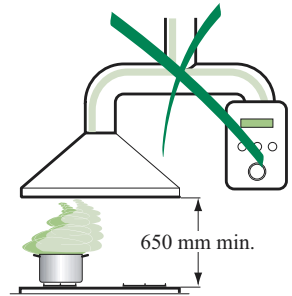
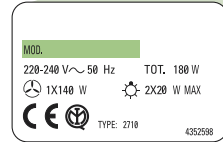
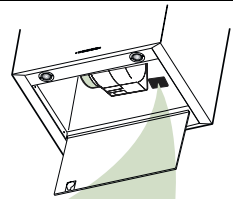
BEDIENUNG

- Die Dunstabzugshaube ist ausschließlich zum Einsatz im privaten Haushalt und zur Beseitigung von Küchengerüchen vorgesehen.
- Bei unsachgemäßer Benutzung wird keine Haftung übernommen.
- **⚠ Achtung! Große Flammen bei eingeschalteter Haube niemals unbedeckt lassen.**
- Die Intensivität der Flamme ist so zu regulieren, dass sie den Topfboden nicht überragt.
- **⚠ Achtung! Frittiergeräte müssen während des Gebrauchs stets beaufsichtigt werden: Überhitztes Öl kann sich entzünden.**
- Keine flambierten Speisen unter der Abzugshaube zubereiten: Brandgefahr.
- Dieses Gerät darf nicht von Personen, auch Kindern, mit verminderten psychischen, sensorischen und geistigern Fähigkeiten, oder von Personen ohne Erfahrung und Kenntnisse benutzt werden, sofern sie nicht von für ihre Sicherheit verantwortlichen Personen beaufsichtigt und beim Gebrauch des Geräts angeleitet werden.
- Kinder dürfen sich nicht unbeaufsichtigt in der Nähe des Geräts aufhalten und auf keinen Fall mit dem Gerät spielen.

WARTUNG

- Bevor Wartungsarbeiten durchgeführt werden, muss die Stromzufuhr zur Haube unterbrochen werden, indem der Stecker gezogen oder der Hauptschalter abgeschaltet wird.
- Bei der Filterwartung müssen die vom Hersteller empfohlenen Zeiträume zum Austausch der Filter genauestens eingehalten werden.
- Zur Reinigung der Haubenflächen Wir empfehlen ein feuchtes Tuch und ein mildes Flüssigreinigungsmittel.
- Bitte keine Reinigungsmittel mit Scheuermittel verwenden. Die Oberfläche wird damit verkratzt.

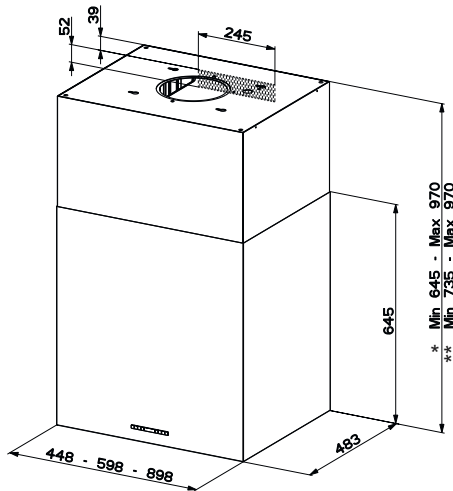
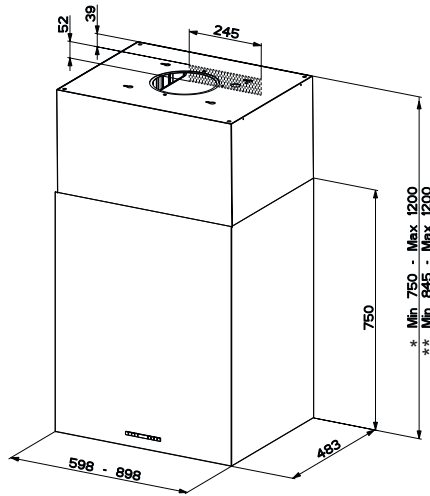
Das Symbol  auf dem Produkt oder seiner Verpackung weist darauf hin, dass dieses Produkt nicht als normaler Haushaltsabfall zu behandeln ist, sondern an einem Sammelpunkt für das Recycling von elektrischen und elektronischen Geräten abgegeben werden muss. Durch Ihren Beitrag zum korrekten Entsorgen dieses Produkts schützen Sie die Umwelt und die Gesundheit Ihrer Mitmenschen. Umwelt und Gesundheit werden durch falsches Entsorgen gefährdet. Weitere Informationen über das Recycling dieses Produkts erhalten Sie von Ihrem Rathaus, Ihrer Müllabfuhr oder dem Geschäft, in dem Sie das Produkt gekauft haben.



CHARAKTERISTIKEN

Platzbedarf

Die Abmessungen ändern sich je nach Ausführung

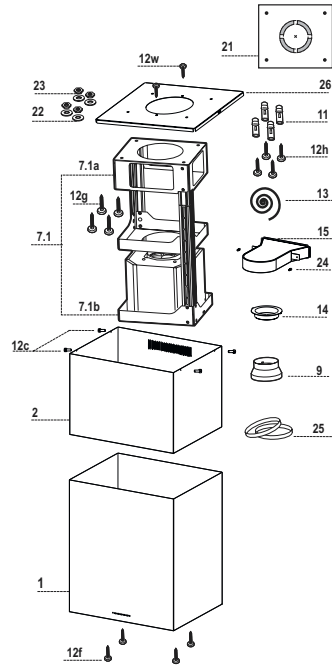


* Abmessungen der Haube in Abluftversion.

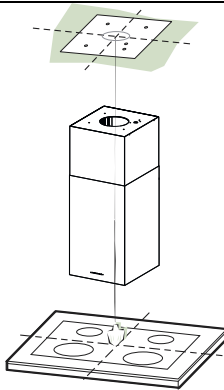
** Abmessungen der Haube in Umluftversion.

cKomponenten

Pos.	St.	Produktkomponenten
1	1	Haubenkörper mit Schaltern,
2	1	oberer Kaminteil
7.1	1	Teleskopgerüst komplett mit Gebläse, bestehend aus:
7.1a	1	oberer Gerüstteil
7.1b	1	unterer Gerüstteil
9	1	Reduzierflansch ø 150-120 mm (Optional)
13	1	Dichtung
14	1	Verlängerungsstückf. Luftaustritt Haubenkörper
15	1	Luftaustritt-Anschlussstück
25	2	Rohrschellen
26	1	Berkaminanschluss
Pos.	St.	Montagekomponenten
11	4	Dübel ø 10
12c	4	Schrauben 2,9 x 9,5
12f	4	Schrauben M6 x 15
12g	4	Schrauben M6 x 80
12h	4	Schrauben 5,2 x 70
12w	2	Schrauben M3 x 8
21	1	Bohrschablone
22	4	Unterlegscheiben ø 6,4
23	4	Schraubenmuttern M6
24	2	Kugelgriffe zur Befestigung Anschluss Luftaustritt
St.	Dokumentation	
1	Bedienungsanleitung	



MONTAGE



Bohren der Decke/Trägerplatte und Montage des Teleskopgerüsts

⚠ **Achtung:** Bitte beachten Sie bei der Montage das Gewicht der kompletten Haube. Die Tragfähigkeit der Decke oder alternativ der Trägerplatte für diese Zugbelastung muss vor der Montage geprüft und gegebenenfalls durch die Anbringung von geeigneten Befestigungs- oder Stabilisierungselementen hergestellt werden. Kann eine hinreichende Tragfähigkeit nicht sichergestellt werden, ist von einer Montage abzusehen.

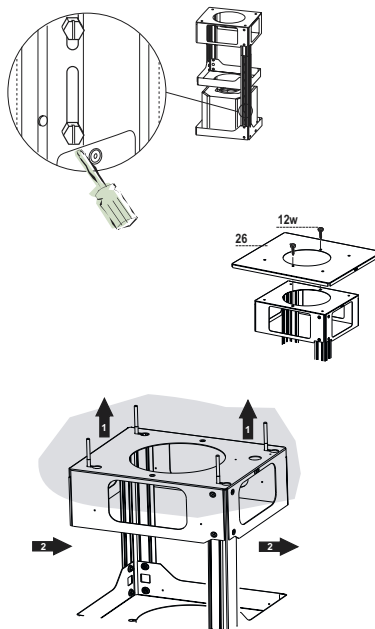
BOHREN DER DECKE/TRÄGERPLATTE

- Mit Hilfe eines Lots den Kochmulden-Mittelpunkt an der Decke oder Trägerplatte ermitteln und kennzeichnen.
- Die mitgelieferte Bohrschablone **21** so auf die Decke/Trägerplatte legen, dass die Schablonenmitte mit dem gekennzeichneten Mittelpunkt übereinstimmt und die Schablonenseiten auf die Seiten der Kochmulde ausrichten.
- Die Mitte der Schablonenbohrungen kennzeichnen.
- Die gekennzeichneten Punkte bohren:
 - Massivbeton-Decke: je nach verwendeten Beton-Dübeln.
 - Decke aus Hohlkammer-Ziegeln mit 20 mm Wandungsstärke: \varnothing 10 mm (sofort die mitgelieferten Dübel **11** einfügen).
 - Holzbalkendecke: je nach verwendeten Holzschrauben.
 - Holz-Trägerplatte: \varnothing 7 mm.
 - Durchgang für das Speisekabel: \varnothing 10 mm.
 - Luftaustritt (Abluftversion): je nach Durchmesser des Anschlussrohres für die Luftableitung.
- Zwei sich gegenüberliegende Schrauben festziehen und 4-5 mm Freiraum zur Decke belassen:
 - bei Massiv-Betondecken mit speziellen Betondübeln, die nicht mitgeliefert werden;
 - für Hohlkammer-Ziegeln mit ca. 20 mm Wandungsstärke die mitgelieferten Schrauben **12h** verwenden;
 - bei Holzbalken-Decken mit 4 Holzschrauben, die nicht mitgeliefert werden;
 - bei Holz-Trägerplatten mit 4 Schrauben **12g**, Unterlegscheiben **22** und Schraubenmutter **23**, die im Lieferumfang enthalten sind.

MONTAGE DES TELESKOPGERÜSTS

Für eine eventuelle Regulierung der Gerüsthöhe folgendermaßen vorgehen:

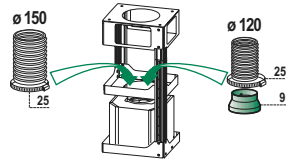
- Die Stell schrauben an den Gerüstseiten, die die beiden Säulen vereinen, lösen.
- Die gewünschte Gerüsthöhe einstellen und die zuvor entnommenen Schrauben wieder festziehen.
- Den anschluss des oberkamins mit den 2 Schrauben **12w** (M3 x 8) an die innemstruktur befestigem.
- Das Gerüst heben, die Langlöcher bei den Schrauben einrasten und bis zum Anschlag laufen lassen;
- Die beiden Schrauben festziehen und die anderen beiden mitgelieferten Schrauben einschrauben; bevor die Schrauben definitiv festgezogen werden, können Einstellungen durchgeführt werden, indem das Gerüst gedreht wird; hier-bei ist darauf zu achten, dass die Schrauben nicht aus dem Sitz des Einstell-Langloches gleiten.
- Nun können die 4 Sicherheitsschrauben wie nachstehend beschrieben eingeschraubt werden:
 - mit einem Bohrer $\varnothing 10$ die Decke bohren und die Bohrungen an den Seiten des oberen Kamin-teils verwenden.
 - Die 4 beiliegenden Dübel einfügen.
 - Die beiliegenden Unterlegscheiben auf die Schrauben geben und festziehen.
- Wir verweisen auf die Notwendigkeit einer absolut sicheren Befestigung des Teleskopgerüsts, die sowohl dem Eigengewicht der Haube wie auch dem seitlichen Druck, der auf das Gerät einwirken kann, entsprechen muss. Nach erfolgter Montage ist zu prüfen, ob das Teleskopgerüst auch bei Biegebeanspruchung stabil ist.
- Sollte die Decke am Befestigungspunkt nicht robust genug sein, muss der Installateur geeignete Platten und Gegenplatten verwenden, die an strukturell widerstandsfähigen Teilen verankert werden.



Anschluss in Abluftversion

Bei Abluftbetrieb kann die Haube vom Installateur wahlweise mittels Rohr oder Schlauch (\varnothing 150 oder 120 mm) an die Außenrohrleitung angeschlossen werden.

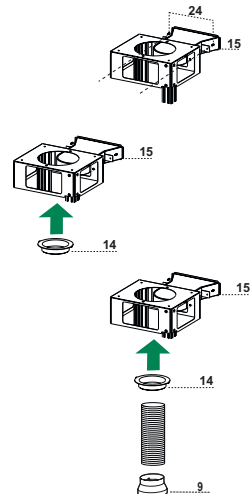
- Bei Verwendung eines Anschlussrohres \varnothing 120 den Reduzierflansch **9** am Haubenaustritt anbringen.
- Das Rohr mit den mitgelieferten Rohrschellen **25** fixieren.
- Eventuell vorhandene Aktivkohlefilter entnehmen.



⚠ Achtung! Alle Querschnittänderungen oder Richtungsänderungen des Abluftkanals reduzieren die Leistung der Haube.

ANSCHLUSS IN UMLUFTVERSION

- Den Reduzierflansch **9** auf den Gebläseaustritt geben.
- Die Klebedichtung Novastik **13** am Anschluss Luftaustritt **15** anbringen und diesen am oberen Gerüst mit Hilfe der 2 Kugelgriffe **24** befestigen.
- Den Anschlussflansch Luftaustritt **14** am Anschluss Luftaustritt **15** anbringen.
- Den Haubenluftaustritt mit Hilfe eines Rohres oder Schlauches \varnothing 120 (die Wahl bleibt dem Installateur überlassen) mit dem Flansch, der sich unter dem Umlenkteil befindet, verbinden.



Kaminmontage und Montage des Haubenkörpers

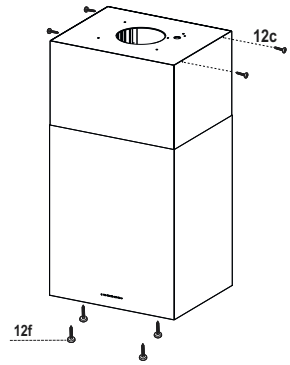
- Den oberen Kamin an der Oberseite des oberen Kaminanschlusses einsetzen und mit den mitgelieferten Schrauben **12c** (2,9 x 9,5) befestigen.

Umluftbetrieb

- Kontrollieren, dass der Anschluss Luftaustritt **15** in Übereinstimmung mit dem Kamingitter positioniert ist.
- Ist dies nicht der Fall, den Kamin entfernen und die Position des Anschlusses Luftaustritt **15** korrigieren; die Einzelteile wie zuvor beschrieben wieder montieren.

Vor der Montage des Haubenkörpers am Teleskopgerüst:

- Den Saugpaneel durch Drehen des entsprechenden Drehknopfes öffnen.
- Die Fettfilter entnehmen.
- Eventuell vorhandene Aktivkohle-Geruchsfilter entnehmen.
- Dann den Haubenkörper mit Hilfe der 4 mitgelieferten Schrauben **12f** von unten her am Teleskopgerüst fixieren.

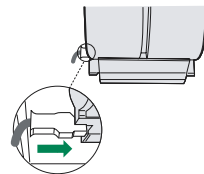


ELEKTROANSCHLUSS

⚠ Vor der Installation die Netzspannung durch Herausdrehen der Sicherung oder ausschalten des Hauptschalters stromlos machen.

- Bei Anschluss der Haube an das Stromnetz muss ein zweipoliger Schalter mit einem Öffnungsweg von mindestens 3mm zwischengeschaltet werden.
- Den Comfort Panel durch Ziehen öffnen, kontrollieren, dass der Verbinder des Speisekabels korrekt in die Steckdose des Gebläses eingesteckt ist.
- Die Anschlüsse der Verbinder vornehmen.
- Für die Umluftversion den Aktivkohle-Geruchsfilter montieren.
- Die Fettfilter und danach den Saugpaneel wieder montieren.

⚠ Achtung: Das Gerät nur an die Netzspannung die im Typenschild angegeben ist anschließen.



BEDIENUNG



Bedienblende

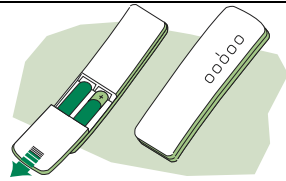
Taste	Funktion	Display
A	Schaltet den Motor der Absauganlage bei der zuletzt verwendeten Geschwindigkeit ein und aus.	Zeigt die eingestellte Geschwindigkeit an
B	Vermindert die Betriebsgeschwindigkeit.	
C	Erhöht die Betriebsgeschwindigkeit.	
D	Aktiviert von jeder Geschwindigkeit aus, auch bei abgestelltem Motor, die Intensivgeschwindigkeit, die auf 10 Minuten zeitgeregelt ist. Nach Ablauf dieser Zeit kehrt das System zu der zuvor eingestellten Geschwindigkeit zurück. Für die Beseitigung von sehr intensiven Kochdünsten geeignet.	Zeigt HI an und der Punkt unten rechts blinkt einmal pro Sekunde.
E	Aktiviert den Motor bei einer Geschwindigkeit, die eine Absaugleistung von 100 m ³ /h für die Dauer von 10 Minuten jede Stunde ermöglicht, nach dessen Ablauf hält der Motor an. Bei laufendem Filteralarm wird durch 3 Sekunden anhaltendes Drücken der Taste ein Reset des Alarms ausgelöst. Derlei Anzeigen sind nur bei abgestelltem Motor sichtbar.	Zeigt 24 an und der Punkt unten rechts blinkt, während der Motor in Betrieb ist. Nach abgeschlossener Prozedur verlöscht die bisherige Anzeige: FF zeigt an, dass der Metallfettfilter gewaschen werden muss. Dieser Alarm wird nach 100 effektiven Betriebsstunden der Abzugshaube ausgelöst. EF zeigt an, dass die Aktivkohlefilter ausgetauscht und die Metallfettfilter gewaschen werden müssen. Dieser Alarm wird nach 200 effektiven Betriebsstunden der Abzugshaube ausgelöst.
F	Aktiviert das automatische Ausschalten mit einer Verzögerung von 30 Min. Ermöglicht die Beseitigung von Restgerüchen und kann von jeder Position aus aktiviert werden. Zum Deaktivieren die Taste drücken oder den Motor abstellen.	Zeigt abwechselnd die Betriebsgeschwindigkeit und die bis zum Abschalten der Abzugshaube verbleibende Zeit an. Der Punkt unten rechts blinkt.
G	Schaltet die Beleuchtung ein oder aus.	
H	Schaltet die verminderte Beleuchtung ein oder aus.	

WARTUNG

FERNBEDIENUNG (OPTION)

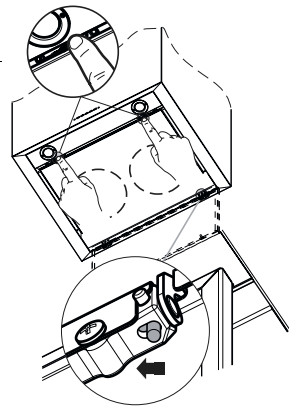
Dieses Gerät kann mit einer Fernbedienung gesteuert werden, welche mit alkalischen Zink-Kohle-Batterien 1,5 V des Standardtyps LR03-AAA versorgt wird.

- Die Fernbedienung nicht in die Nähe von Hitzequellen legen.
- Batterien müssen vorschriftsmäßig entsorgt werden.



Reinigung der Comfort Panel

- Den Comfort Panel durch Ziehen öffnen.
- Die Platte vom Haubenkörper aushaken, indem der Hebel des Befestigungsstiftes verschoben wird.
- Die Comfort Panel darf keinesfalls im Geschirrspüler gewaschen werden.
- Außen mit einem feuchten Lappen und neutralem Flüssigreiniger säubern.
- Innen mit einem feuchten Lappen und neutralem Reinigungsmittel säubern; keine nassen Lappen oder Schwämme oder Wasserstrahl verwenden; kein Scheuermittel verwenden.
- Am Ende die Platte wieder am Haubenkörper einhaken und schließen, indem der Drehknopf in die dem Öffnen entgegengesetzte Richtung gedreht wird.



Metallfettfilter

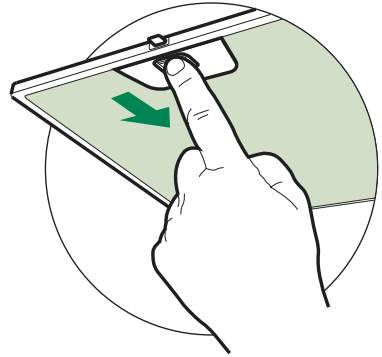
Die Fettfilter sind spülmaschinengeeignet und müssen gewaschen werden, sobald am Display die Aufschrift **FF** erscheint oder mindestens alle 2 Monate, oder auch öfter, je nach Intensität des Gebrauchs.

Reset des Alarmsignals

- Die Beleuchtung und den Absaugmotor abschalten und dann die 24-Stunden-Funktion deaktivieren, falls diese zuvor aktiv war.
- Die Taste **E** drücken, bis das Display verlöscht.

Reinigung der Filter

- Die Comfort Panels durch Ziehen öffnen.
- Die Filter einzeln ausbauen, indem sie in den hinteren Teil der Gruppe geschoben und gleichzeitig nach unten gezogen werden.
- Die Filter waschen, ohne sie zu verbiegen, und vor dem erneuten Einbau trocknen lassen. (die Farbe der Filteroberfläche kann sich mit der Zeit verändern, was aber die Wirksamkeit keinesfalls beeinträchtigt.)
- Nun die Filter wieder einbauen, so dass der Griff nach der äußeren Sichtseite zeigt.
- Die Comfort Panel wieder schließen.



Aktivkohle-Geruchsfilter (Filterversion)

- Der Aktivkohlefilter ist weder waschbar, noch regenerierbar und muss ausgewechselt werden, wenn am Display die Aufschrift **EF** erscheint, oder nach mindestens 4 Monaten.

Aktivierung des Alarmsignals

- Bei den Filterversionen der Abzugshauben wird die Alarmanzeige für Filtersättigung im Augenblick der Installation oder in der Folge aktiviert.
- Die Beleuchtung und den Abzugsmotor ausschalten.
- Die Abzugshaube von der Netzversorgung trennen.
- Den Anschluss wieder herstellen, indem die Taste **B** gedrückt wird.
- Bei Loslassen der Taste erscheinen am Display zwei drehende Rechtecke.
- **Innerhalb von 3 Sekunden** die Taste **B** drücken, bis am Display die Bestätigung erscheint:
 - 2 maliges Blinken der Aufschrift **EF** – Sättigungsalarm Aktivkohlefilter **AKTIVIERT**
 - 1 maliges Blinken der Aufschrift **EF** - Sättigungsalarm Aktivkohlefilter **DEAKTIVIERT**.

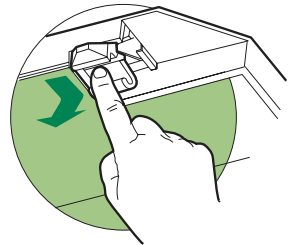
AUSWECHSELN DES AKTIVKOHLE-GERUCHSFILTERS

Reset des Alarmsignals

- Die Beleuchtung und den Absaugmotor ausschalten; falls die 24-Stunden-Funktion aktiv ist, diese deaktivieren.
- Die Taste **E** drücken, bis das Display verlöscht.

Auswechseln des Filters

- Die Comfort Panel durch Ziehen öffnen.
- Die Fettfilter aus Metall entfernen.
- Den gesättigten Aktivkohle-Geruchsfilter durch Öffnen der Klammern ausbauen.
- Den neuen Filter in seinen Sitz einhängen.
- Die Fettfilter aus Metall wieder einbauen.
- Die Comfort Panel wieder verschließen.
- Die Kohlefilter können mit dem Hausmüll entsorgt werden.

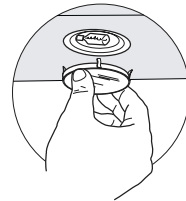


Beleuchtung

AUSWECHSELN DER LAMPEN

Halogenlampe 20 W

- Vor dem Auswechseln der Lampen, die mittels Eindrücken befestigte Glashalterung aus Metall durch Anheben der Zwingen entfernen und die Halterung dabei mit einer Hand stützen.
- Die Lampe aus der Halterung nehmen.
- Die Lampe durch eine gleichwertige ersetzen und bei der Remontage darauf achten, daß die beiden Steckerstifte vorschriftsmäßig in die Lampenfassung eingeführt werden.
- Die Glashalterung wieder eindrücken.



TAVSİYELER VE ÖNERİLER

- ⚠ Bu kullanma talimatı birden fazla cihaz modeli için geçerlidir.
Cihazınıza uymayan bazı donanım özellikleri tarif edilmiş olabilir.

MONTAJ


- Yalınış veya eksik montajdan doğan herhangi bir zararın sorumluluğu üreticiye ait değildir.
- Davlumbaz ile pişirici cihazın ocak kısmı arasındaki minimum güvenlik mesafesi 650 mm.dir.
- Besleme voltajının, davlumbaz içerisine yerleştirilen bilgi etiketinde belirtilenle aynı olup olmadığını kontrol edin.
- Sınıf I elektrikli aletleri için, güç kaynağının yeterli topraklamayı sağlayıp sağlamadığını kontrol edin. Minimum 120 mm çapında bir boru yoluyla davlumbazı çıkış bacasına bağlayın. Baca bağlantısı mümkün oldu- ğunca kısa olmalıdır.
- Davlumbaz borusunu yanıcı duman taşıyan baca deliğine (buhar kazanı, şömine, vb.) bağlamayın.
- Davlumbazın elektrikle çalışmayan aletlerle (örneğin; gazlı cihazlar) bağıntılı olarak kullanılmaması halinde çıkış gazının geri tepmesini önlemek amacıyla odada yeterli bir havalandırma sağlanmalıdır. Temiz hava girişini temin etmek için mut- fakta doğrudan dışarıya açılan bir açıklık bulunmalıdır.

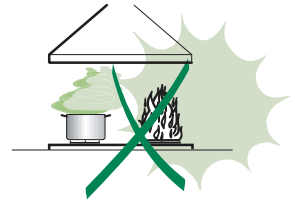
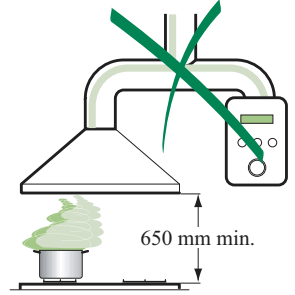
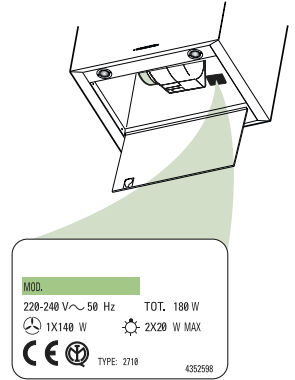
KULLANIM

- Davlumbaz mutfaktaki kokuların emilmesi amacıyla evlerde kullanım için tasarlanmıştır. Ticari ve endüstriyel amaçlar için kullanmayınız.
- Davlumbazı tasarlandığı amaçların dışında kesinlikle kullanmayınız.
- Davlumbaz çalışırken altında kesinlikle yüksek çıplak ateş bırakmayın.
- Alev yoğunluğunu doğrudan tencerenin altında kalacak şekilde ayarlayın, kenarlarını sağlamadığından emin olun.
- Yağda kızartma tavalarını kullanırken sürekli olarak takip edin: fazla ısınan yağ tutuşabilir.
- Kapağın altında kıvılcımdan kaçının, yangın riski
- Bu alet, güvenliklerinden sorumlu kişiler tarafından kontrol edilmedikleri veya eğitilmedikleri sürece; fiziksel, duymusal ve zihinsel kapasitesinde kısıtlama olan (çocuklar dahil) veya aleti kullanma tecrübesi ve bilgisi olmayan kişiler tarafından kullanılamaz.
- Bebeklerin, aletle oynamadıklarından emin olmak için kontrol edilmeli gerekir.

BAKIM

- Herhangi bir bakım işlemini gerçekleştirmeden önce davlumbazı kapatın veya fişini çıkarın.
- Filtreleri belirtilen zamanlarda temizleyin ve / veya değiştirin.
- Cihazı nemli bir bez ve nötr bir sıvı deterjan kullanarak temizleyin.

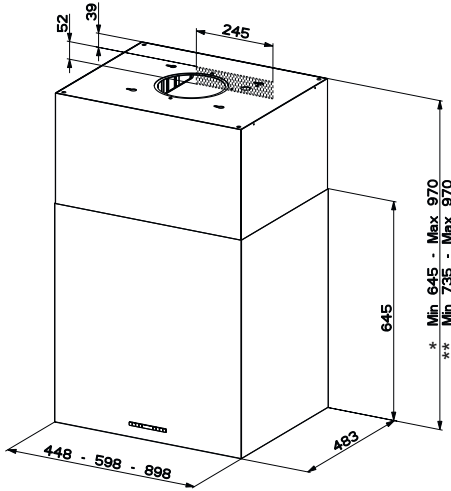
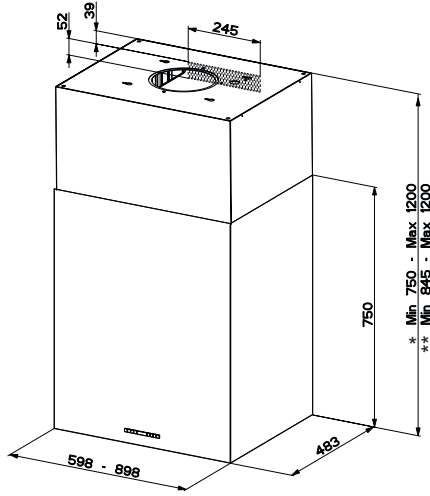
Ürün veya paketi üzerindeki  sembolü, bu ürünün normal bir evsel atık olarak görülmemesi ve bu tip elektrikli veya elektronik cihazların atıldığı dönüşümlü toplama noktalarına terkedilmesi gerektiğine işaret eder. Bu ürünü gerektiği gibi elimine etme kurallarına uyarınız çevre ve insan sağlığı üzerindeki olumsuz etkilerini bertaraf etmeye katkı sağlamış olursunuz. Bu ürünün geri dönüşüm koşulları hakkında daha ayrıntılı bilgi için hudutları içinde bulunduğunuz belediyenin ilgili diarasına, atık yoketme servisine veya ürünün satıcısına danışınız.



ÖZELLİKLER

Yer tutma

Boyutlar, seçilen versiyona göre değişir.

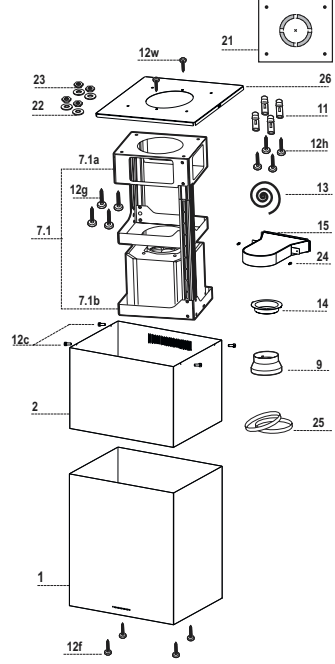


* Emici versiyon davlumbaz için ölçüler.

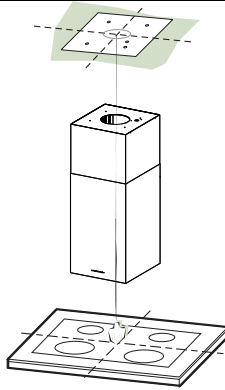
** Filtre edici versiyon davlumbaz için ölçüler.

Komponentler

Rif.	Miktar	Ürün	Komponentleri
1	1	Kumandaları, ışık, vantilatör grupları, filtreleri ve alt bacası ile birlikte davlumbaz gövdesi	
2	1	Üst baca	
7.1	1	Aşağıdaki unsurları ile birlikte aspiratörlü teleskopik boru:	
7.1a	1	Üst boru	
7.1b	1	Alt boru	
9	1	Ø 150-120 mm reduksiyon flanşı(Opsiyonel)	
13	1	Novastik Yapışkan conta	
14	1	Hava çıkış rakor flanşı	
15	1	Hava çıkış rakoru	
25	2	Boru bağlama kelepçesi	
26	1	Üst baca bağlantısı	
Rif.	Miktar	Montaj	komponentleri
11	4	Dubeller	Ø 10
12c	4	Vidalar	2,9 x 9,5
12f	4	Vidalar	M6 x 10
12g	4	Vidalar	M6 x 80
12h	4	Vidalar	5,2 x 70
12w	2	Vidalar	M3 x 8
21	1	Delik kalıbı	
22	4	Rondelalar	Ø 6,4
23	4	Somunlar	M6
24	2	Hava çıkış rakoru tespit topları	
Miktar	Dokümantasyon		
1	Talimat El Kitabı		



MONTAJ



Tavan / Konsol delme işlemi ve Kafesin Sabitlenmesi

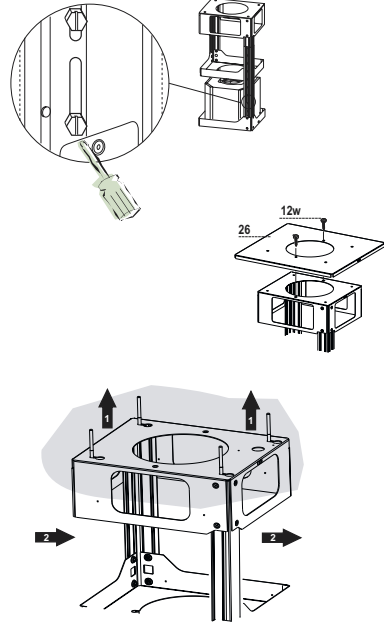
TAVANIN YADA KONSOLUN DELİNİMESİ

- Bir şakül yardımıyla tavana ya da destek konsolüne pişirme tezgahının merkezini işaretleyiniz.
- Tavana veya konsola donanım ile birlikte verilen delik delme şablonunu (21) dayayınız ve bunun merkeziyle işaretlenen merkezi birbirine çakıştırınız. Yani şablonun eksenini ile pişirme tezgahı eksenini bir hizaya gelmiş olsun.
- Delik delme şablonuyla delikleri duvara işaretleyiniz.
- Şu şekilde delik deliniz:
 - Masif beton tavan: beton dübelleri kullanarak.
 - Direnç kalınlığı 20 mm ve üstte hava boşluğu olan tuğla tavan: 10 mm çapında delik (donanım ile verilmiş dübelleri (11) hemen takınız)
 - Ahşap tavan: ahşap dübelleri kullanarak.
 - Ahşap konsola: 7 mm çapında delik deliniz.
 - Elektrik besleme kablosunun geçişi için: \varnothing 10 mm çapında.
 - Hava Çıkışı (Aspiratörlü model): Dış hava tahliye borusu bağlantısının çapına göre.
- Tavana çaprazlamasına iki vida takıp 4-5 mm dışarıda bırakınız. Bu vidalar şöyle olmalıdır:
 - Masif beton için buna uygun vida ve dübeller; bunlar donanım ile verilmemiştir.
 - Hava boşluklu tuğla tavan - yaklaşık 20 mm direnç kalınlıklı - bunun için donanım ile verilmiş vidaları (12h) kullanınız.
 - Ahşap tavana uygun vidalar: donanımda yoktur.
 - Ahşap konsola: donanımdaki vidalar (**12g**), rondelalar (22) ve cıvatalar (23).

BORUNUN TESPİTİ

Borunun yüksekliği ayarlanmak istenirse:

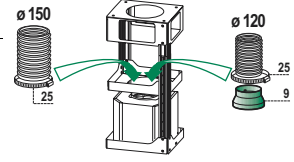
- İki kolonu birleştiren vidaları gevşetin.
- Borunun yüksekliğini istenilen seviyeye ayarlayın ve vidaları yeniden sıkın.
- **26** Üst Baca bağlantısını 2 adet **12w** (M3 x 8) vidası ile birleştirin.
- Boruyu kaldırın, deliklerinden vidalara geçirin ve sonuna kadar sürün. Bu noktada boru kendi ağırlığı ile durmaktadır.
- İki adet vidayı sıkın ve verilen diğer iki vidayı üst plakaya vidalayın;
Vidaları nihai olarak sıkmadan önce, borunun hareket ettirilmesi sureti ile yükseklik ayarlaması yapılabilir. Bunu yaparken, vidaların ayar gözlerinden kurtulmamasına dikkat edilmelidir.
- Şimdi 4 adet güvenlik vidası sıkılabilir, bunu yapmak için şu işlemleri takip edin:
 - $\varnothing 10$ bir uç ile, üst baca bağlantısının yan tarafındaki delikleri kullanarak tavana delik açın.
 - Verilen 4 adet dubeli bu deliklere yerleştirin
 - Verilen rondelaları vidalara yerleştirin ve sıkın.
- Borunun tespiti işlemi, gerek Davlumbazın ağırlığı, gerekse monte edilmiş cihaza uygulanan kuvvet nedeni ile yandan gelebilecek muhtemel zorlanmalar itibarı ile emniyetli olmalıdır. Tespit işlemi yapıldıktan sonra, baca esnese bile tabanın sağlam olup olmadığını kontrol edin.
- Tavanın askı noktasında yeteri kadar kuvvetli olmadığı bütün durumlarda, montajı gerçekleştiren kişinin bu bağlantı noktasını, yapısal olarak dirençli unsurlara bağlamak sureti ile uygun plakalar ve kontra plakalar ile takviye etmesi gerekir.



Aspiratörlü Model Hava Çıkışı Bağlantısı

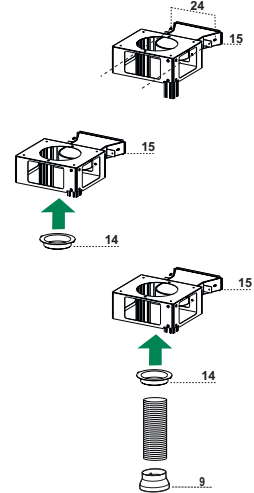
Aspiratörlü modelin bağlantısını yapmak için, davlumbazı ϕ 150 yada 120 mm ϕ çapında, montörün seçimine göre sert veya esnek bir boruyla çıkış kanalına bağlayınız.

- ϕ 120 mm ϕ çapında boruyla bağlantı için, redüksiyon flanşını (9) davlumbaz gövdesi çıkışına takınız.
- Boruyu donanımla birlikte verilmiş kelepçelerle (25) sıkıca raptediniz.
- Varsa aktif karbon filtrelerini çıkartınız.



FİLTRELİ VERSİYON HAVA ÇIKIŞI

- 9 redüksiyon flanşını Aspiratör çıkışına takın.
- 13 Novastik Yapışkan Contasını 15 Hava Çıkış Rakoruna sürün ve 2 adet 24 bağlantı topu vasıtası ile üst boruya tespit edin.
- 14 Hava Çıkış Rakoru flanşını 15 Hava Çıkış Rakoruna takın.
- Davlumbazın flanşlı hava çıkışını, tercihi monitöre kalmış sert ya da rijit 120 mm ϕ çapında bir boru ile rakora bağlayınız.



Bacanın montajı ve Davlumbaz Gövdesinin Tespiti

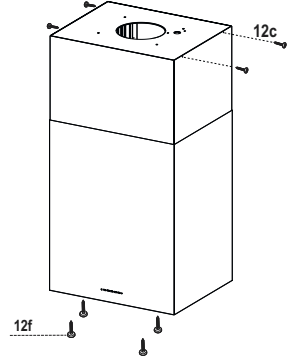
- Üst bacayı yerleştiriniz ve donanımda mevcut olan **12c** (2,9 x 9,5) vidalar ile üst baca bağlantısına sabitleyiniz.

Filtreli versiyon

- **15** Hava Çıkışı Rakorunun Baca ızgara yapısına uygun olmasını temin edin.
- Eğer böyle değilse, bacayı çıkartın ve **15** Hava Çıkış Rakorunun pozisyonunu düzeltin; sonra diğer parçaları yukarıda tarif edildiği şekilde yerlerine monte edin.

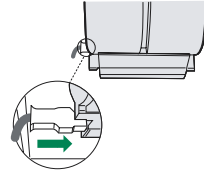
Davlumbaz Gövdesini boruya monte etmeden önce:

- çekerek emme panelini açın.
- İlgili tespit ayağı parçasını sürerek paneli gövdeden çıkartın.
- Yağ Filtrelerini Davlumbaz Gövdesinden çıkartın.
- Varsa Aktif karbon Koku Filtrelerini çıkartın.
- Alt taraftan 4 adet **12f** vidası ile Davlumbaz Gövdesini boruya tespit edin.



ELEKTRİK BAĞLANTISI

- Davlumbazı, en az 3 mm kontak açıklığı olan çift kutuplu bir anahtar üzerinden şebeke cereyanına bağlayın.
- Emme Panelini ve yağ filtrelerini açın, besleme kablosu konektörünün Aspiratör prizine doğru bir şekilde yerleştirilmiş olmasına dikkat edin.
- Elektrik bağlantılarını yapın
- Filtreli versiyon için Aktif karbon Koku Filtrelerini takın.
- Yağ filtrelerini ve Emme Panelini yerine takın.



KULLANIM



Kumanda Tablosu

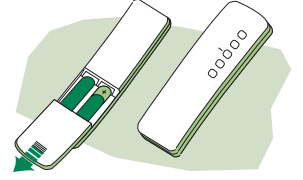
Tuş	Fonksiyon	Gösterge
A	Aspiratör motorunu, kullanılan en son hızda açıp kapatır.	Ayarlanan hızı görüntüler.
B	O an devrede olan hızı düşürür.	
C	O an devrede olan hızı artırır.	
D	Motor kapalıyken bile herhangi bir hızdan yoğun hızı devreye alır; bu hız 10 dakikaya ayarlıdır ve bu sürenin sonunda sistem daha önce ayarlanmış olan hızı döner. En yükük yoğunluktaki pişirme dumanlarının tahliyesine uygundur.	HI işaretini görüntüler ve sağ alttaki nokta saniyede bir kez yanıp söner.
E	Motoru her saat başı 10 dakika süre ile 100 m ³ /saat oranında hava emecek şekilde çalıştırır, bu süre dolunca motor stop eder. Filtre alarmı devrede iken tuşa 3 saniye süre ile basıldığında alarm sıfırlanmış olur. Bu sinyalleri sadece motor stop durumdayken görmek mümkündür.	24 işaretini görüntüler, sağ alttaki nokta yanıp sönmeye başlar; motor ise çalışır durumdadır. Süreç sona erdiğinde daha önce görüntülenen işaret söner: FF Madeni yağ filtrelerinin yıkanması gerektiğini bildirir. Alarm, Davlumbazın 100 çalışma saatini doldurmasından sonra devreye girer. EF Aktif karbon filtrelerinin değiştirilmesi ve madeni yağ filtrelerinin de yıkanması gerektiğini bildirir. Alarm, Davlumbazın 200 çalışma saatini doldurmasından sonra devreye girer.
F	30 dakika sonra otomatik kapatma programını devreye alır. Pişirme sonrası kalan artık kokuları yok etmek için uygundur. Hangi konumda olunursa olunsun devreye alınabilir ve tuşa basmak yada motoru stop etmek suretiyle devre dışı bırakılabilir.	Çalışma hızını ve davlumbazın durması için kalan süreyi dönüşümlü olarak görüntüler. Sağ alt taraftaki nokta yanıp sönmektedir.
G	Aydınlatma sistemini açar-kapatır.	
H	Aydınlatma sistemini düşük ışıktaki açar-kapatır.	

BAKIM

TELEKUMANDA (OPSİYONEL)

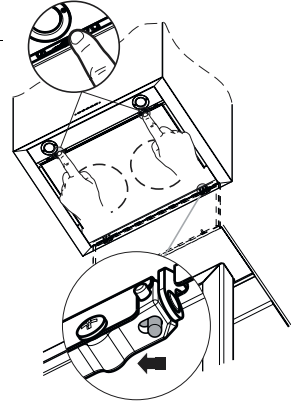
Bu cihaza bir telekumanda ile de komut verilebilir; bu kumanda 1,5 Voltluk çinko-karbonlu LR03-AAA tipi standart alkalın pillerle çalışır.

- Telekumandayı ısı kaynakları yakınında bırakmayınız.
- Pilleri çevreye atmayınız, bunlara ayrılmış çöp toplama kaplarına atınız.



Konfor Panelleri'nin Temizlenmesi

- Çekerek Konfor Paneli'ni açınız.
- Sabitleme piminin kolunu kaydırarak paneli davlumbaz gövdesinden kurtarınız.
- Konfor paneli, asla bulaşık makinasında yıkanmaz.
- Dış tarafını nemli bir bez ve nötr sıvı deterjan ile temizleyiniz.
- İç kısmını da nemli bez ve nötr sıvı deterjan kullanarak temizleyebilirsiniz. Islak bez ya da sünger kullanmayınız, su püskürtmeyiniz ve aşındırıcı-yıpratıcı maddeler kullanmaktan kaçınınız.
- İşlem sona erdiğinde, paneli davlumbaz gövdesine takıp tekrar kapatınız.



Madeni yağ filtreleri

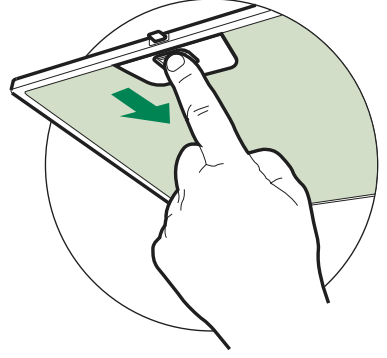
Madeni yağ filtreleri, bulaşık makinasında yıkanabilirler. Göstergede **FF** işareti görüntülendiğinde ya da en az 2 ayda bir, hatta yoğun kullanımda daha sık aralıklarla yıkanmaları gerekir.

Alarm sinyalinin sıfırlanması

- Lambaları ve aspiratör motorunu kapatınız. 24h fonksiyonu devrede ise devre dışı bırakınız.
- Gösterge kapanana kadar **E** tuşuna basınız.

Filtrelerin temizlenmesi

- Çekerek Konfor Panelleri'ni açınız.
- Grubun arka tarafına doğru ittirip aynı anda aşağı doğru çekerek Filtreleri tek tek çıkarınız.
- Katlayıp kıvrınmamaya dikkat ederek Filtreleri yıkayınız ve yerlerine takmadan önce kurumaya bırakınız. (Filtre yüzeyinde zamanla olası bir renk değişikliği meydana gelebilir, ancak kesinlikle filtrenin çalışmasını etkilemez.)
- Kulpların dış tarafları görünecek şekilde, dikkatlice filtreleri tekrar yerlerine takınız.
- Konfor panellerini kapatınız.



Aktif karbonlu koku giderici filtreler (Filtreli Model)

- Aktif karbonlu koku giderici filtrelerin yıkanması ve rejenere edilmeleri mümkün değildir, göstergede **EF** işareti görüntülediğinde ya da en az 4 ayda bir değiştirilmeleri gerekir.

Alarm sinyalinin devreye alınması

- Filtrelerin doyum noktasına geldiğini bildiren alarm sinyali montaj sırasında devreye alınabileceği gibi, Filtreli Model davlumbazlarda daha sonra da devreye alınabilir.
- Lambaları ve Aspiratör Motorunu kapatınız.
- Davlumbazın elektrik şebekesi ile olan bağlantısını kesiniz.
- **B** tuşunu basılı tutarak bağlantıyı tekrar sağlayınız.
- Tuş bırakıldığında gösterge üzerinde dönen iki dikdörtgen görülür.
- **3 saniye içinde** gösterge üzerinde onay görüntülenene dek **B** tuşuna basınız:
 - 2 yanıp sönen **EF** yazısı – Aktif Karbon Filtresi doyum noktası alarmı DEVREDE
 - 1 yanıp sönen **EF** yazısı – Aktif Karbon Filtresi doyum noktası alarmı DEVRE DIŞI.

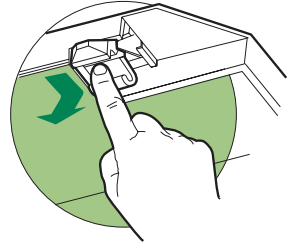
AKTİF KARBONLU KOKU FİLTRESİNİN DEĞİŞTİRİLMESİ

Alarm sinyalinin sıfırlanması

- Lambaları ve Aspiratör Motorunu kapatınız, sonra devrede ise 24h fonksiyonunu devre dışı bırakınız.
- Gösterge kapanana kadar **E** tuşuna basınız.

Filtrenin değiştirilmesi

- Çekerek Konfor Panelleri'ni açınız.
- Madeni yağ Filtrelerini çıkarınız.
- Doymuş aktif karbonlu koku Filtresini klipslerine müdahale ederek çıkarınız.
- Yeni Filtreyi klipslerinden tutturarak yuvasına takınız.
- Madeni yağ Filtrelerini tekrar yerlerine takınız.
- Konfor panellerini kapatınız.



Aydınlatma

AMPULLERİN DEĞİŞTİRİLMESİ

20 W halojen ampuller

- Metal cam klipsini halkanın altından destekleyerek ve bir elinizle de tutarak sökünüz.
- Halojen ampulü duyardan çıkarınız.
- Aynı özelliğe sahip yenisiyle değiştiriniz ve iki adet fişinin yuvasına iyi oturmasına dikkat ediniz.
- Cam tutucu klipsi bastırarak takınız.



SAVJETI I PREPORUKE

⚠ Ova knjižica s uputama za korištenje predviđena je za više verzija uređaja. Moguće je da su opisani pojedini detalji dodatne opreme koji se ne tiču vašeg uređaja.

INSTALIRANJE

- Proizvođač ne preuzima nikakvu odgovornost za štete prouzročene nepravilnim instaliranjem ili nepridržavanjem osnovnih radnih propisa.
- Minimalna sigurnosna udaljenost između radne površine Kuhala i Nape mora iznositi barem 650 mm.
- Provjerite da li mrežni napon odgovara naponu navedenom na pločici koja se nalazi unutar Nape.
- Za Uređaje s niskom potrošnjom provjerite da li kućna električna instalacija osigurava pravilno uzemljenje.
- Priključite Napu izlazu usisanog zraka cijevima čiji promjer odgovara ili je veći od 120 mm. Dužina cijevi mora biti što kraća.
- Nemojte priključiti Napu cijevima za odvod dima proizvoda sagorjevanje (kottlovi, kamini, itd.).
- U slučaju da se u sobi koristi Napa i uređaji koji se ne napajaju električnom energijom (na primjer plinski uređaji), morate osigurati dovoljno prozračivanje prostorije. Ako u kuhinji nije već predviđeno, izbušite otvor koji omogućuje dovoljan ulaz čistog zraka izvana.

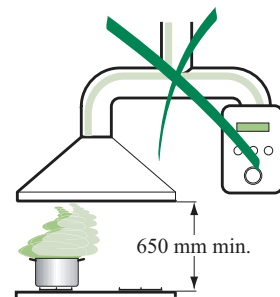
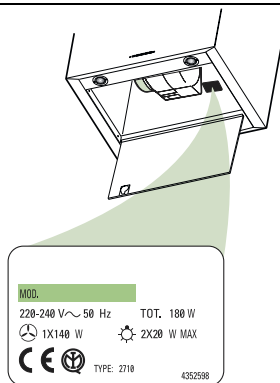
KORIŠTENJE

- Napa je zamišljena za isključivo kućno korištenje, za uklanjanje neugodnih mirisa iz kuhinje.
- Nemojte nikad koristiti Napu na neprikladan način.
- Izbjegavajte otvorene plamenike jakog intenziteta ispod Nape koja je uključena.
- Regulirajte uvijek plamenik tako da izbjegnute očigledno bočno prekorračivanje plamenika u odnosu na dno lonaca.
- Provjeravajte friteze tijekom korištenja: pregrijavanje ulja moglo bi lako dovesti do zapalijavanja.
- Nemojte spremati flambiranu hranu ispod kuhinjske nape; opasnost od požara
- Ovaj uređaj nije namijenjen za uporabu od strane osoba (uključujući i djecu) koja imaju smanjene fizičke, senzoričke ili mentalne sposobnosti, ili nemaju dovoljno iskustva i znanja, osim ako nisu pod nadzorom ili im nisu dane jasne upute vezane uz uporabu uređaja od strane osobe odgovorne za njihovu sigurnost.
- Djeca bi trebala biti pod nadzorom kako bi se osiguralo da se ne igraju s uređajem.

ODRŽAVANJE

- Prije nego što pristupite održavanju, isključite Napu iskopčavanjem električnog utikača ili pritiskom na glavni prekidač.
- Izvršite savjesno i pravovremeno održavanje Filtera poštujući preporučene vremenske razmake.
- Za čišćenje površina Nape dovoljno je koristiti vlažnu krpu i neutralno tekuće sredstvo za pranje.

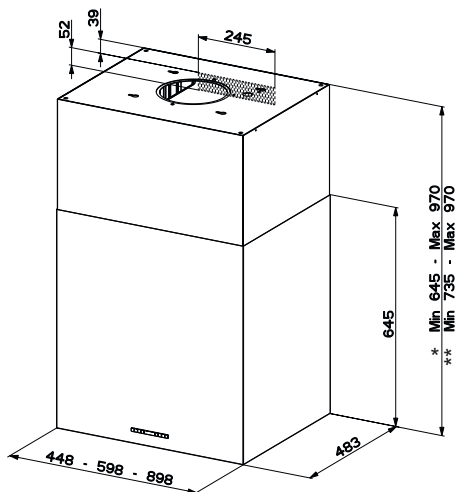
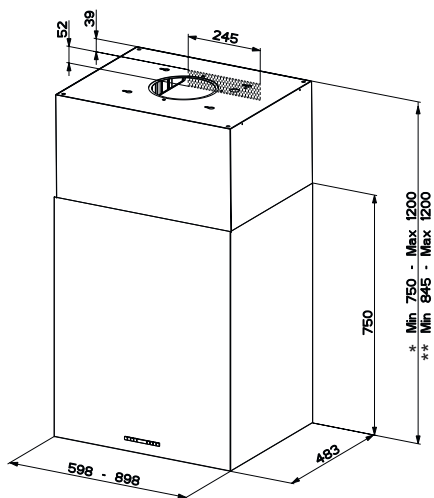
⚠ na proizvodu ili na pakovanju naznačuje da se proizvod ne smije smatrati kao običan kućni otpad, već se mora odložiti na mjestu određenom za sakupljanje i reciklažu električnih i elektroničnih uređaja. Ako se pobrinete za prikladno odlaganje ovog proizvoda, pridonosite otklanjanju potencijalnih negativnih posljedica za okoliš i za zdravlje, koje bi mogle proizaći iz neprikladnog odvoza proizvoda. Za detaljnije informacije o reciklaži ovog proizvoda, obratite se općinskim uredima, lokalnoj službi za odvoz otpada ili trgovini u kojoj ste proizvod kupili.



SVOJSTVA PROIZVODA

Dimenzije

Dimenzije variraju ovisno o odabranoj verziji.

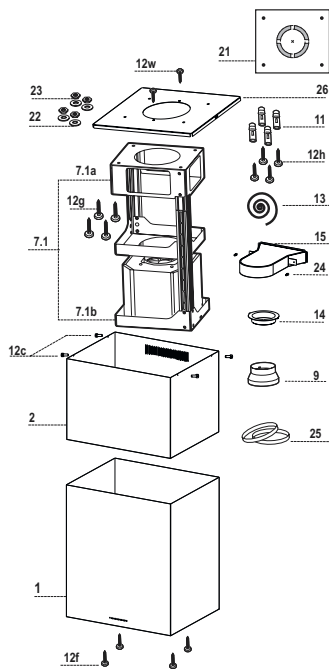


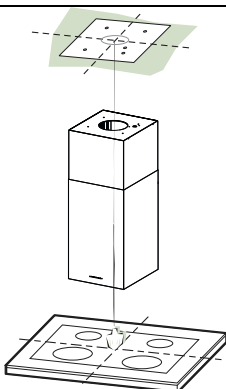
* Dimenzije nape u verziji s usisavanjem.

** Dimenzije nape u verziji s filtriranjem.

Sastavni dijelovi

Kod	Količina	Sastavni dijelovi proizvoda
1	1	Sklop Nape uključujući: Komande, Svjetlo, Sklop Ventilatora, Filtere, Donji Dimnjak
2	1	Gornji dimnjak
7.1	1	Teleskopski stup koji uključuje Aspirator i obuhvaća:
7.1a	1	Gornji stup
7.1b	1	Donji stup
9	1	Prirubnica Redukcije ø 150-120 mm (PO ŽELJI)
13	1	Ljepljivo brtvilo Novastik
14	1	Prirubnica Priključka Izlaza Zraka
15	1	Priključak Izlaza Zraka
25	2	Ovojnice za stezanje cijevi
26	1	Gornji Spoj Dimnjaka
Kod	Količina	Dijelovi za Instaliranje Proizvoda
11	4	Umetak ø 10
12c	4	Vijci 2,9 x 9,5
12f	4	Vijci M6 x 10
12g	4	Vijci M6 x 80
12h	4	Vijci 5,2 x 70
12w	2	Vijci M3 x 8
21	1	Profil za bušenje
22	4	Pločica øi 6,4
23	4	Zavrtnaj M6
24	2	Držak za pričvršćivanje Priključka Izlaza Zraka
Količina	Dokumenti	
1	Uputstva za Korištenje	





Bušenje Stropa/Police i Pričvršćivanje Stupa

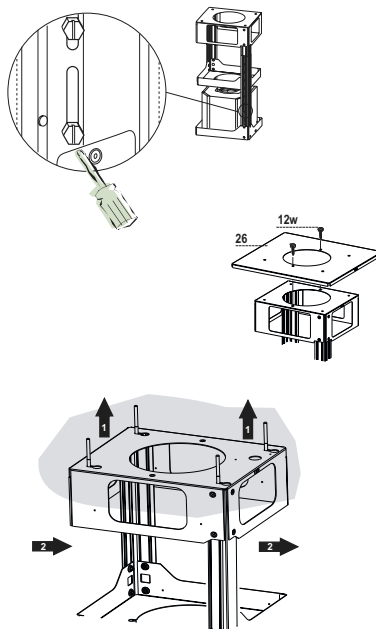
BUŠENJE STROPA/POLICE

- Pomoću okomitog Konca izravnajte Strop/Nosivu Policu s radnom površinom Kuhala.
- Naslonite na Strop/Policu Profil za Bušenje **21** koji spada u dodatnu opremu, pazeći pri tom da se njihova srednja točka podudara s obilježenom sredinom i uskladite osovinu Profila s osovinom radne površine Kuhala.
- Označite sredinu Rupice Profila.
- Izbušite rupice na slijedeći način:
 - Strop od sloja Betona: ovisno o upotrijebljenim Umecima za Beton.
 - Strop od izbušenih Opeka, s izdržljivim slojem debljine od 20 mm: \varnothing 10 mm (ubacite odmah Umetke **11** koji spadaju u dodatnu opremu).
 - Strop od Drvenih Greda: ovisno o upotrijebljenim Vijcima za Drvo.
 - Drvena Polica: \varnothing 7 mm.
 - Kanal Napojnog električnog Kabela: \varnothing 10 mm.
 - Izlaz Zraka (Uisna Varijanta): ovisno o promjeru priključka Cijevi za Vanjsko Pražnjenje.
- Privijte dva vijka, postavite ih unakrsno i ostavite 4-5 mm odmaka od stropa, i to:
 - za sloj Betona, Umeci za Beton, koji ne spadaju u dodatnu opremu.
 - za izbušene Opeke, s izdržljivim slojem debljine od otprilike 20 mm, Vijci **12h**, koji spadaju u dodatnu opremu.
 - za drvene Stupove, Vijci za drvo, koji ne spadaju u dodatnu opremu.
 - za Drvenu Policu, vijci **12g** s Pločicama **22** i Zavrtnjima **23**, koji spadaju u dodatnu opremu.

PRIČVRŠČIVANJE STUPA

Ako želite regulirati visinu stupa:

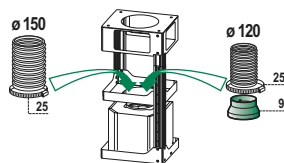
- Odvijte svih vijaka koji povezuju dva stupa
- Regulirajte željenu visinu stupa i ponovno privijte svih vijaka
- Povežite Spoj Gornjeg Dimnjaka **26** na gornji stup pomoću 2 Vijka **12w** (M3 x 8).
- Podignite stup, umetnite rupice na vijke tako da ukliznu do kraja. Nakon toga se stup drži uspravno sam.
- Pričvrstite oba vijka i privijte na gornju ploču ostala dva vijka (koji spadaju u dodatnu opremu); Prije definitivog pričvršćivanja vijaka moguće ih je regulirati pomicanjem stupa, pazite pri tom da vijci ne iskoče iz sjedišta rupica za reguliranje.
- Sad je moguće pričvrstiti 4 sigurnosnih vijaka, u ovom slučaju postupite kao što je naznačeno:
 - izbušite svrdlom $\varnothing 10$ strop koristeći rupice koje se nalaze bočno u odnosu na priključak gornjeg dimnjaka.
 - Ubacite 4 umetaka koji spadaju u dodatnu opremu
 - Umetnite Pločice (koje spadaju u dodatnu opremu) u vijke i pričvrstite ih.
- Pričvršćivanje Stupa mora biti sigurno u odnosu na težinu Nape i na opterećenja koja su prouzročena povremenim bočnim pritiscima na instalirani Uređaj. Nakon što ste obavili pričvršćivanje provjerite da li je podloga stabilna, iako je Stup izložen savijanju.
- U svakom slučaju, ako Strop nije dovoljno jak u točki vješanja, Instalater će se morati pobrinuti za njegovo pojačanje prikladnim pločama i protupločama koje su usidrene na nosive dijelove koji su dovoljno otporni.



Povezivanje Izlaza Zraka za Usisnu Varijantu

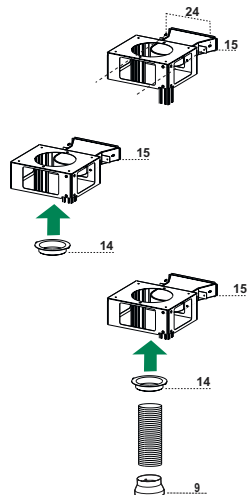
Prilikom instaliranja Usisne Varijante povežite Napu na izlazne cijevi, i to pomoću nesavijljivih ili fleksibilnih cijevi čiji je promjer \varnothing 150 ili 120 mm, odabir je prepušten instalateru.

- Za povezivanja na cijev od \varnothing 120 mm, umetnite Prirubnicu redukcije **9** na Izlaz Sklopa Nape.
- Pričvrstite cijev prikladnim ovojnicama za stezanje cijevi **25** koje spadaju u dodatnu opremu.
- Otklonite eventualne filtere s aktivnim ugljenom.



IZLAZ ZRAKA – FILTRIRAJUĆA VARIJANTA

- Umetnite Prirubnicu redukcije **9** na izlazu Aspiratora.
- Postavite Ljepljivo Brtvilo Novastik **13** na Priključak Izlaza Zraka **15** i pričvrstite ga na gornji stup pomoću 2 Drška **24**.
- Pričvrstite Prirubnicu Priključka Izlaza Zraka **14** na Priključak Izlaza Zraka **15**.
- Spojite oba izlaza na Cijev Priključka Izlaza Zraka preko čvrste ili fleksibilne cijevi od \varnothing 120, čiji je izbor ostavljen instalateru.



Montaža Dimnjaka i Pričvršćivanje Sklopa Nape

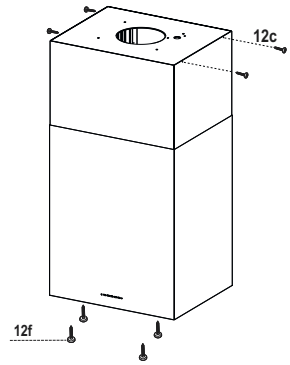
- Umetnite gornju napu i učvrstite je na gornji dio, na priključak za gornju napu, vijcima **12c** (2,9 x 9,5) koji su dio opreme.

Filtrirajuća varijanta

- Provjerite da li Priključak Izlaza Zraka **15** odgovara Pregradi Dimnjaka.
- U protivnom slučaju, odstranite dimnjak i uskladite položaj Priključka Izlaza Zraka **15**; ponovno postavite dijelove kao što je prethodno opisano.

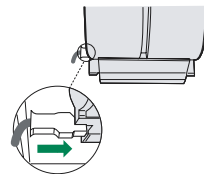
Prije nego što pričvrstite Sklop Nape na Stup:

- Povlačenjem otvorite Usisni Panel.
- Otkvačite panel od sklopa nape, klizanjem zasebne poluge klina za pričvršćivanje.
- Odstranite Filter za masnoću od Sklopa Nape.
- Odstranite eventualne Filtere za neugodne mirise s Aktivnim ugljenom.
- Potom pričvrstite s donje strane, koristeći 4 vijaka **12f** koji spadaju u dodatnu opremu, Sklop Nape na već prethodno pripremljen Stup.



ELEKTRIČNI PRIKLJUČAK

- Priključite Napu na Napojnu Mrežu i umetnite bipolarni Prekiđač s minimalnim odmakom kontakata od 3 mm.
- Otvorite Usisni Panel i filtere za masnoću, provjerite da li je konektor Napojnog Kabela propisno ukopčan u utičnicu Aspiratora.
- Izvršite priključke Konektora
- Za Filtrirajuću Varijantu: postavite Filter za neugodne mirise s Aktivnim Ugljenom.
- Ponovno postavite Filtere za masnoću i Usisni Panel.



KORIŠTENJE



Komandna ploča

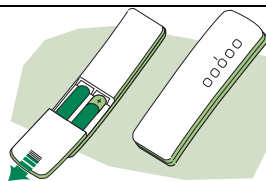
Tipka	Funkcija	Displej
A	Uključuje i isključuje usisni motor pri zadnjoj korištenoj brzini.	Pokazuje namještenu brzinu.
B	Smanjuje brzinu rada.	
C	Povećava brzinu rada.	
D	Aktivira intenzivnu brzinu, iz bilo koje brzine, pa i ako je motor bio ugašen, ta brzina tempirana je na 10 minuta, a nakon tog vremena sustav se vraća na prethodno namještenu brzinu. Pogodno za usisavanje maksimalne količine isparavanja od kuhanja.	Pokazuje HI , a točka dolje desno svjetluca jednom u sekundi.
E	Aktivira motor pri brzini koja omogućuje usisavanje 100 m ³ /h tijekom 10 minuta svakog sata - nakon što istekne to vrijeme, motor se zaustavlja. Dok je uključena opcija "alarm filtara", pritisnite tipku otprilike 3 sekunde, kako bi se alarm resetirao. To se može vidjeti samo ako je motor isključen.	Pokazuje 24 , a točka dolje desno svjetluca dok je motor u radu. Nakon završetka ovog postupka gasi se signalna lampica, koja se prije mogla vidjeti. FF znači da treba oprati metalne filtre protiv masnoće. Alarm se uključuje nakon 100 sati efektivnog rada nape. EF znači da treba zamijeniti filtre s aktivnim ugljenom, te da treba oprati metalne filtre protiv masnoće. Alarm se uključuje nakon 200 sati efektivnog rada nape.
F	Aktivira automatsko gašenje, s odgodom od 30'. Pogodno za potpuno uklanjanje preostalih mirisa. Može se aktivirati iz bilo kojeg položaja, a isključuje se pritiskom na tipku ili gašenjem motora.	Naizmjenice se pokazuje radna brzina i vrijeme koje je preostalo do gašenja nape. Točka dolje desno svjetluca.
G	Pali i gasi rasvjetni uređaj.	
H	Pali i gasi rasvjetni uređaj sa smanjenim intenzitetom.	

ODRŽAVANJE

DALJINSKI UPRAVLJAČ (PO ŽELJI)

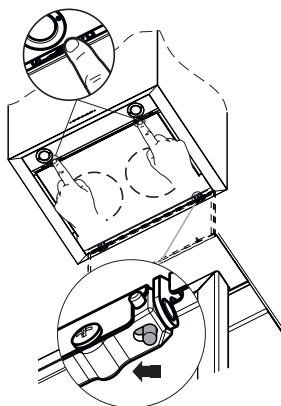
Ovaj se uređaj može upravljati pomoću daljinskog upravljača, koji se napaja alkalinskim baterijama od cink-ugljena od 1,5 V standardnog tipa LR03-AAA.

- Nemojte odlagati daljinski upravljač u blizini izvora topline.
- Nemojte ostavljati baterije u prirodnom okolišu, odložite ih u zasebnim spremnicima.



Čišćenje Panela Confort

- Povlačenjem otvorite Panel Confort.
- Otkvačite panel od sklopa nape tako da klizne zasebna poluga klina za pričvršćivanje.
- Panel confort se nipošto ne pere u perilici za suđe.
- Očistite vanjsku stranu vlažnom krpom i tekućim neutralnim sredstvom za pranje.
- Očistite i unutrašnju stranu koristeći vlažnu krpnu i neutralno sredstvo za pranje; nemojte koristiti mokre krpe ni spužve, ni mlazove vode; isto tako nemojte koristiti brusna sredstva.
- Nakon što ste obavili čišćenje ponovno prikvačite panel na sklop nape i zatvorite ga.



Metalni filtri protiv masnoće

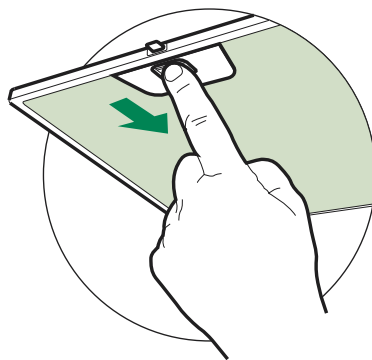
Mogu se oprati i u perilici za posuđe, a treba ih oprati kada se na displeju pojavi **FF** ili barem nakon svaka 2 mjeseca korištenja, ili češće, kod posebno intenzivnog korištenja.

Resetiranje signala alarma

- Ugasite svjetla i usisni motor, ako je aktivirana opcija 24h, isključite je.
- Pritisnite tipku **E**, sve dok se displej ne ugasi.

Čišćenje filtara

- Otvorite Comfort Panel izvlačenjem.
- Uklonite filtre jedan po jedan, pritiskom prema stražnjem dijelu sklopa i povlačenjem istodobno prema dolje.
- Operite filtre izbjegavajući njihovo savijanje i ostavite ih da se osuše prije no što ih stavite natrag. (Eventualna promjena boje površine filtra, do koje može doći s vremenom, ni na koji način ne utječe na efikasnost filtra.)
- Ponovno ih namjestite pazeći da ručica ostane okrenuta prema vanjskoj vidljivoj strani.
- Ponovno zatvorite Comfort Panel.



Filtri protiv mirisa s aktivnim ugljenom (filtrirajuća verzija)

- Ne može se oprati, niti obnoviti, potrebno ga je zamijeniti kada se na displeju pojavi **EF** ili barem svaka 4 mjeseca.

Aktiviranje signala alarma

- U napama s filtrirajućom verzijom aktiviranje signala zasićenosti filtera obavlja se za vrijeme instalacije, ili kasnije.
- Ugasite svjetla i usisni motor.
- Isključite napu iz mrežnog napona.
- Ponovno uspostavite priključak, tako da pritisnete tipku **B**.
- Nakon što otpustite tipku, na displeju će se pojaviti dva pravokutnika, koji se okreću.
- **U roku od 3 sekunde** pritisnite tipku **B**, dok se na displeju ne pojavi potvrda:
 - kad dva puta zasvijetli natpis **EF**–alarm zasićenosti filtera s aktivnim ugljenom **AKTIVIRAN**
 - kad jednom zasvijetli natpis **EF**–alarm zasićenosti filtera s aktivnim ugljenom **ISKLJUČEN**.

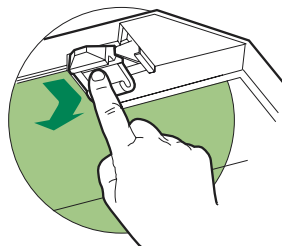
ZAMJENA FILTRA PROTIV MIRISA S AKTIVNIM UGLJENOM

Resetiranje signala alarma

- Ugasite svjetla i usisni motor, ako je aktivirana opcija 24h, isključite je.
- Pritisnite tipku **E**, sve dok se displej ne ugasi.

Zamjena filtera

- Otvorite Comfort Panel izvlačenjem.
- Izvadite metalne filtre protiv masnoće.
- Uklonite zasićeni filter protiv mirisa s aktivnim ugljenom, pritiskom na posebne spojke.
- Stavite novi filter tako da ga umetnete u njegovo ležište.
- Ponovno namjestite metalne filtre protiv masnoće.
- Ponovno zatvorite Comfort Panel.

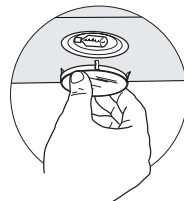


Rasvjeta

ZAMJENA ŽARULJA

Halogene žarulje od 20W

- Pritiskom uklonite metalni štitnik stakla i zadignite ispod prstenastog okova, podupirući ga jednom rukom.
- Izvucite halogenu žarulju iz grla.
- Zamijenite je novom žaruljom istih karakteristika, pazeći da pravilno umetnete dva kontakta na predviđeno mjesto grla žarulje.
- Pritiskom vratite na mjesto štitnik stakla.

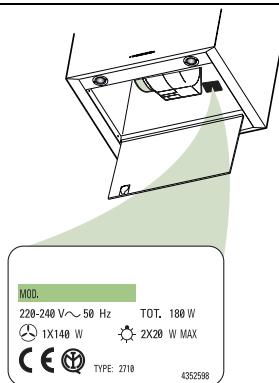


UWAGI I SUGESTIE

- ⚠ Niniejsza instrukcja obsługi została przygotowana dla różnych wersji urządzenia.
Możliwe jest, że niektóre ilustracje nie odzwierciedlają dokładnie waszego urządzenia.

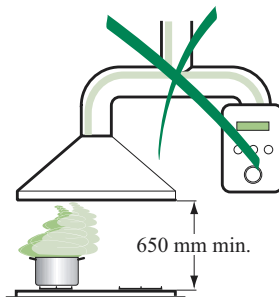
MONTAŻ

- Producent nie ponosi odpowiedzialności za szkody wynikające z niepoprawnego lub niezgodnego z instrukcją montażu.
- Minimalna odległość pomiędzy płytą kuchenną a okapem powinna wynosić 650 mm.
- Należy sprawdzić, czy napięcie sieci elektrycznej jest takie samo, jak wskazane na tabliczce znamionowej, znajdującej się wewnątrz okapu.
- Urządzenia o izolacji elektrycznej klasy I, należy podłączać do gniazd sieciowych wyposażonych w sprawny obwód uziemiający.
- Okap należy podłączyć do przewodu kominowego rurą o minimalnej średnicy 120 mm. Droga przewodu powinna być jak najkrótsza.
- Nie należy podłączać okapu do przewodów kominowych odprowadzających produkty spalania (pieców, kominków itp.).
- Jeśli okap używany jest w sąsiedztwie urządzeń nielektrycznych (np. gazowych), należy zapewnić odpowiedni poziom wentylacji danego pomieszczenia, aby zapobiec cofaniu się spalin gazowych. Kuchnia musi posiadać otwory wentylacyjne uchodzące na zewnątrz budynku, gwarantujące stały napływ świeżego powietrza.



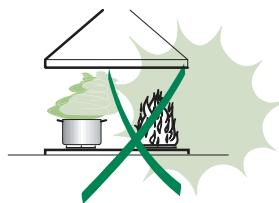
UŻYTKOWANIE

- Okap został zaprojektowany wyłącznie dla potrzeb domowych w celu eliminacji oparów kuchennych.
- Nie należy używać okapu do celów niezgodnych z tymi, dla których został zaprojektowany.
- Nie należy zostawiać źródeł otwartego ognia pod okapem, gdy jest uruchomiony.
- Wielkość płomienia należy wyregulować tak, aby skierować go wyłącznie na spód naczyń, unikając w ten sposób ogrzewania jego boków.
- Smażenie w głębokim tłuszczu musi być stale kontrolowane, ponieważ nadmiernie rozgrzany olej może się zapalić.
- Niniejsze urządzenie nie może być używane przez osoby (w tym dzieci) niepełnosprawnie fizycznie lub umysłowo oraz przez bez doświadczenia lub wiedzy na temat jego działania, operatorzy powinni zostać poinstruowani i skontrolowani we kwestii obsługi urządzenia przez osoby odpowiedzialne za jego bezpieczeństwo.
- Dzieci powinny być nadzorowane, aby upewnić się że nie bawią się urządzeniem.



KONSERWACJA

- Przed rozpoczęciem czyszczenia lub prac konserwacyjnych urządzenie należy odłączyć od sieci elektrycznej.
- Filtry należy czyścić lub wymieniać po określonym czasie.
- Okap należy czyścić wilgotną ściereczką oraz delikatnym detergentem.



Symbol „przekreślonego śmietnika”, znajdujący się na urządzeniu zgodnie z Dyrektywą 2002/96/EC Unii Europejskiej, wdrożonej do polskiego prawa Ustawą z dnia 29 lipca 2005 O zużytych sprzęcie elektrycznym i elektronicznym” (Dz.U. z 2005r. Nr 180, poz. 1495) oznacza, że urządzenie po zakończeniu jego eksploatacji nie może być usuwane wraz z odpadami domowymi. Należy przewieźć je do specjalistycznego punktu przetwarzania urządzeń elektrycznych oraz elektronicznych lub zwrócić sprzedawcy w chwili zakupu nowego urządzenia.

Odpowiedzialność za dostarczenie urządzenia do specjalistycznego miejsca przetwarzania spoczywa na konsumentcie. Dostarczenie urządzenia do miejsca przetwarzania odpadów pozwala na jego recykling, obróbkę oraz składowanie zgodnie z wymogami ochrony środowiska. Umożliwia to uniknięcie negatywnych skutków wywieranych przez zużyte urządzenia na środowisko naturalne oraz zdrowie człowieka, pozwala również na odzyskanie części użytych materiałów. W celu zasięgnięcia dodatkowych informacji prosimy kontaktować się z lokalnymi centrami przetwarzania odpadów lub ze sprzedawcami sprzętu gospodarstwa domowego.

Masa okapu

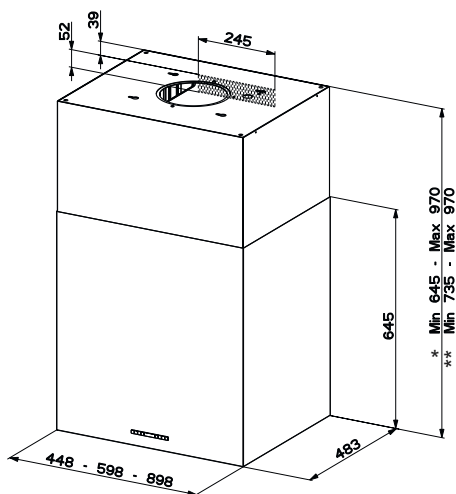
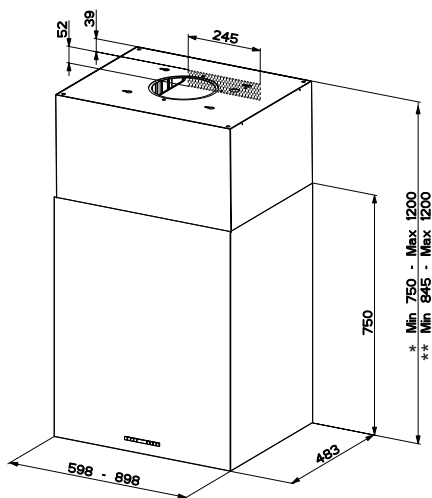
FPL 607 I XS: 49 kg

FPL 907 I XS: 51 kg

WŁAŚCIWOŚCI TECHNICZNE

Zajmowane miejsce

Wymiary różnią się w zależności od wybranego modelu

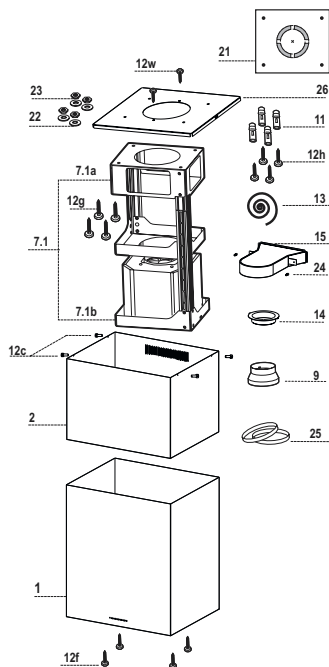


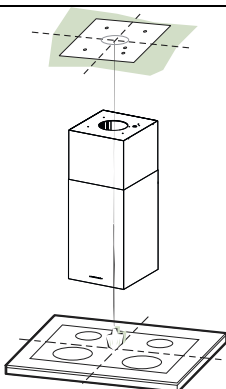
* Wymiary okapu w wersji z wyciągiem.

** Wymiary okapu w wersji filtrującej.

Części składowe

Odn.	Il.	Elementy urządzenia
1	1	Korpus okapu wraz z: przyciskami sterowania, oświetleniem, zespołem wentylatora, filtrami, kominem wewnętrznym
2	1	Komin górny
7.1	1	Rama teleskopowa wraz z wyciągiem, złożona z:
7.1a	1	Ramy górnej
7.1b	1	Ramy dolnej
9	1	Kolnierza redukcyjnego \varnothing 150-120 mm (OPCJONALNIE)
13	1	Uszczelki samoprzylepnej Novastik
14	1	Kolnierza do złącza wylotu powietrza
15	1	Złącza wylotu powietrza
25	2	Opaski rur
26	1	Przyłącza górnego kominu
Odn.	Il.	Elementy montażowe
11	4	Wkręty \varnothing 10
12c	4	Śruby 2,9 x 9,5
12f	4	Śruby M6 x 10
12g	4	Śruby M6 x 80
12h	4	Śruby 5,2 x 70
12w	2	Śruby M3 x 8
21	1	Szablon wiercenia
22	4	Podkładki \varnothing 6,4
23	4	Nakrętki M6
24	2	Pokrętła do mocowania łącznika wylotu powietrza
Q.ła		Dokumentacja
	1	Instrukcja





Wiercenie w suficie/półce, montaż ramy

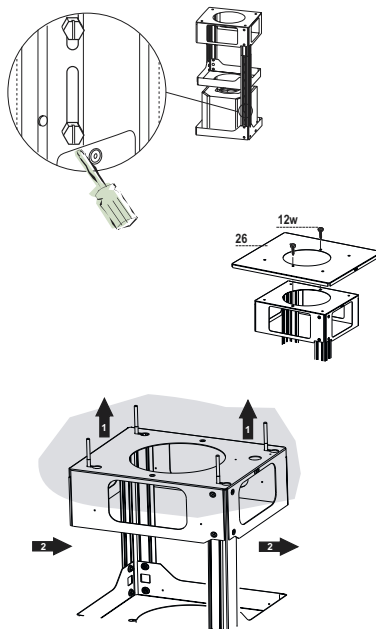
WIERCENIE W SUFICIE/PÓŁCE

- Oznaczyć na suficie lub półce środek płyty kuchennej, przy użyciu pionu.
- Umieścić szablonu **21** na suficie lub półce, upewniając się, czy znajduje się on we właściwej pozycji – czy osie szablonu pokrywają się z osiami płyty kuchennej.
- Oznaczyć środki otworów zgodnie z szablonem.
- Wywiercić otwory w oznaczonych punktach:
 - W wypadku sufitu betonowego, wywiercić otwory o średnicy odpowiedniej dla kołków, właściwych dla załączonych wkrętów.
 - W wypadku sufitów z pustaków o grubości ścianki 20mm: wywiercić otwory \varnothing 10 mm (natychmiast umieścić w nich załączone kołki **11**).
 - W wypadku sufitów z belek drewnianych należy wywiercić otwory stosowne do używanych wkrętów montażowych.
 - W wypadku montażu do półki drewnianej, wywiercić otwory \varnothing 7 mm.
 - Wywiercić otwór \varnothing 10 mm, konieczny do przeprowadzenia przewodu sieciowego.
 - W przypadku pracy w obiegu otwartym, wykonać otwór odpowiedni dla średnicy przewodu kominowego.
- Umieścić w otworach, po przekątnej, dwa odpowiednie wkręty dokręcając tak, aby pozostało około 4-5 mm przerwy od sufitu:
 - W wypadku sufitu betonowego, użyć kołków (nie wchodzi w skład zestawu), właściwych dla wkrętów.
 - W wypadku sufitów z pustaków o grubości ścianki 20mm, użyć wkrętów **12h**, w zestawie.
 - W wypadku sufitów z belek drewnianych użyć 4 wkrętów do drewna (nie wchodzi w skład zestawu).
 - W wypadku montażu do półki drewnianej, użyć 4 śrub **12g** z podkładkami **22** i nakrętkami **23**, w zestawie.

MONTAŻ RAMY

Jeżeli konieczna jest regulacja wysokości ramy należy postępować zgodnie z poniższymi wskazówkami:

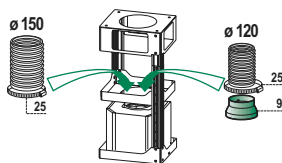
- Odkręcić śruby metryczne łączące dwie kolumny, znajdujące się po bokach ramy.
- Wyregulować odpowiednio wysokość ramy, następnie wkręcić wszystkie śruby, opisane powyżej.
- Zamontować część mocującą górnej osłony komina **26** do mocowania, przy użyciu 2 śrub **12w** (M3 x 8).
- Unieść ramę, wsunąć otwory mocujące na śruby i przesunąć w kierunku blokowania.
- Dokręcić 2 śruby i wkręcić pozostałe, znajdujące się w zestawie. Przed dokręceniem, możliwa jest regulacja położenia ramy należy jednak uważać, aby śruby nie wysunęły się z otworów regulacyjnych.
- Teraz możliwe jest wkręcenie 4 wkrętów zabezpieczających, zgodnie z poniższymi wskazówkami:
 - Wywiercić w suficie otwory $\varnothing 10$ mm, biorąc pod uwagę otwory bocznych elementów górnej części mocującej osłonę komina.
 - Umieścić w otworach 4 kołki (w zestawie).
 - Założyć podkładki (w zestawie) na śruby i dokręcić.
- Rama musi być zamontowana stabilnie ze względu na znaczną masę urządzenia, jak również sporadyczne przypadki wywierania nacisku osiowego na zamontowany okap. Po zamontowaniu należy upewnić się, czy podstawa jest stabilna nawet wtedy, gdy rama jest poddawana siłom poprzecznym.
- Jeżeli sufit w miejscu montażu nie jest dostatecznie wytrzymały, należy wzmocnić go przy użyciu odpowiednich elementów, mocowanych do struktur nośnych.



SYSTEM WENTYLACJI W TRYBIE CYRKULACJI ZEWNĘTRZNEJ

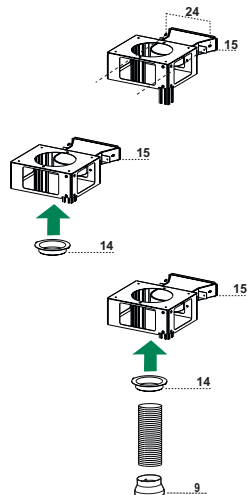
W przypadku montażu w wersji z odprowadzeniem powietrza na zewnątrz należy podłączyć okap do komina za pomocą giętkiej lub sztywnej rury o średnicy 150 lub 120 mm. Wybór opcji należy do montażysty.

- W celu zamontowania wylotu o średnicy 120 mm należy założyć kołnierz redukujący **9** na wylot powietrza znajdujący się w korpusie okapu.
- Zamocować rurę za pomocą odpowiednich klamer zaciskowych do rur **25** (w zestawie).
- Usunąć filtry węglowe (jeżeli są zamontowane).



WYLOT POWIETRZA WERSJA Z FILTREM

- Załóż kołnierz redukcyjny **9** na wylot wyciągu.
- Załóż uszczelkę samoprzylepną Novastik **13** na złącze wylotu powietrza **15** i przymocuj ją do ramy górnej za pomocą 2 pokręteł **24**.
- Zamocuj kołnierz złącza wylotu powietrza **14** do złącza wylotu powietrza **15**.
- Podłączyć odpływ powietrza okapu z kołnierzem znajdującym się w dolnej części łącznika odpływu powietrza przy użyciu sztywnej bądź giętkiej rury ø 120 mm (wybór opcji należy do montażysty).



Montaż osłony kominu oraz korpusu okapu

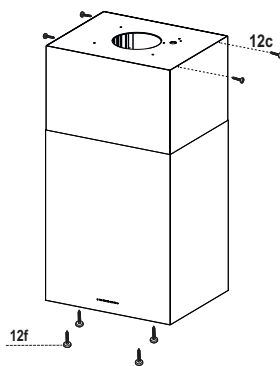
- Włóż komin górny i zamocuj go w górnej części do złącza kominu śrubami **12c** (2,9 x 9,5) znajdującymi się w wyposażeniu.

Praca recyrkulacyjna

- Należy upewnić się czy otwory łącznika odpływu powietrza 15 odpowiadają tym w osłonie przewodu kominowego.
- Jeżeli otwory nie pokrywają się, konieczne będzie zdemontowanie osłony przewodu kominowego i regulacja łącznika odpływu powietrza 15, a następnie montaż zespołów, zgodnie z zamieszczonymi wyżej wskazówkami.

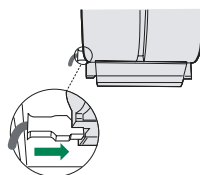
Przed przymocowaniem korpusu okapu do ramy:

- Otworzyć panel wentylacyjny, przy użyciu odpowiedniej dźwigni.
- Odłączyć panel od obudowy okapu poprzez wysunięcie kołków montażowych.
- Wymontować filtry tłuszczowe z korpusu okapu.
- Wymontować filtry węglowe.
- Przy użyciu 4 śrub **12f** (M6 x 10, w zestawie) zamontować korpus okapu do ramy.



PODŁĄCZENIE DO SIECI ELEKTRYCZNEJ

- Podłączyć okap do sieci elektrycznej za pośrednictwem dwubiegunowego włącznika o minimalnej rozwartości styków wynoszącej 3 mm.
- Otworzyć Panel Comfort, pociągając i upewnić się czy wtyk przewodu zasilającego jest właściwie umieszczony w gnieździe obudowy wentylatora.
- Podłączyć wszystkie złącza.
- Zamontować filtr węglowy, jeżeli okap pracuje w trybie recyrkulacji.
- Zamontować filtry tłuszczowe i zamknąć panel wentylacyjny.



UŻYTKOWANIE



Panel sterowania

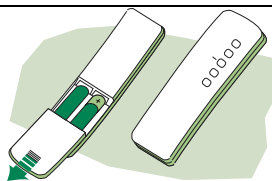
Przycisk	Funkcja	Wyświetlacz
A	Wyłączanie i włączanie silnika okapu na ostatnio wybranej prędkości.	Wskazuje wybraną prędkość.
B	Zmniejszanie prędkości wentylatora	
C	Zwiększanie prędkości wentylatora	
D	Naciśnięcie tego przycisku umożliwia przełączenie na intensywny tryb pracy z dowolnej, wybranej wcześniej prędkości. Tryb intensywny można włączyć nawet wtedy, gdy silnik jest wyłączony (OFF). Tryb ten włącza się na 10 minut. Po tym czasie system automatycznie aktywuje poprzednio wybraną prędkość. Funkcja ta potrzebna jest w przypadku gotowania z największą ilością wydzielanych oparów i zapachów.	Na wyświetlaczu pojawia się komunikat HI . Punkt na dole, po prawej stronie miga z częstotliwością raz na sekundę.
E	Naciśnięcie tego przycisku umożliwia ustawienie pracy silnika na prędkość 100m ³ /h, przez 10 minut, co godzinę. Następnie silnik automatycznie wyłącza się. Cykl ten powtarza się do momentu wyłączenia programu przez ponowne naciśnięcie przycisku. Gdy dochodzi do nasycenia filtra, można anulować alarm, przytrzymując ten przycisk wciśnięty przez ok. 3 sekundy. Informacja o stanie filtrów jest widoczna tylko w przypadku, gdy silnik jest wyłączony.	Funkcja 24 jest włączona. Punkt na dole po prawej stronie miga, a silnik jest włączony. Po zakończeniu procesu wyświetla się poprzednia informacja: FF wskazuje, iż włączył się alarm informujący o nasyceniu metalowych filtrów tłuszczowych i należy je oczyścić. Alarm ten włącza się po 100 godzinach ciągłej pracy. EF wskazuje, iż włączył się alarm informujący o nasyceniu filtrów węglowych i wymagają one wymiany. Przy tej okazji należy wyczyścić również filtry metalowe. Alarm ten włącza się po 200 godzinach pracy.
F	Naciśnięcie tego przycisku umożliwia opóźnione wyłączenie urządzenia po 30 minutach. Funkcja ta służy całkowitej eliminacji pozostałych zapachów. Można ją włączyć w każdej chwili, a wyłącza się ją poprzez ponowne naciśnięcie przycisku lub wyłączenie silnika.	Wyświetla na zmianę wybraną prędkość okapu i czas pozostały do wyłączenia. Punkt na dole po prawej stronie miga.
G	Włączanie i wyłączanie oświetlenia.	
H	Włączanie i wyłączanie oświetlenia o mniejszym nasileniu.	

KONSERWACJA

PILOT ZDALNEGO STEROWANIA (OPCJONALNIE)

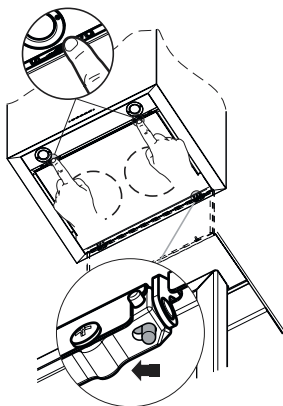
Urządzeniem można sterować za pomocą pilota zasilanego alkalicznymi bateriami 1.5 V typu LR03-AAA.

- Nie należy pozostawiać pilota w pobliżu źródeł ciepła.
- Zużyte baterie należy usunąć zgodnie z wymogami ochrony środowiska.



Czyszczenie Paneli Comfort.

- Otworzyć Panele Comfort poprzez pociągnięcie.
- Odłączyć panel od obudowy okapu poprzez przesunięcie dźwigni kołka mocującego.
- Paneli Comfort nie wolno myć w zmywarce.
- Wyczyścić część zewnętrzną wilgotną ściereczką i delikatnym roztworem detergentu.
- Część wewnętrzną także wyczyścić wilgotną ściereczką i delikatnym roztworem detergentu. Nie należy używać mokrych ścierek, gąbek ani myjek ciśnieniowych; nie używać także substancji rysujących powierzchnie.
- Po zakończeniu powyższych kroków, zamontować panel z powrotem do obudowy okapu i zamknąć go, obracając dźwignię w przeciwnym kierunku.



Metalowe filtry tłuszczowe

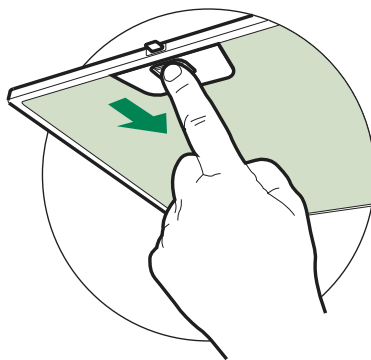
Filtry można myć w zmywarce. Należy je myć po wyświetleniu się znaku **FF** lub co dwa miesiące, a nawet częściej w przypadku szczególnie intensywnego używania okapu.

Wyłączenie alarmu

- Wyłączyć okap i oświetlenie. Jeśli funkcja 24h była aktywowana, należy ją wyłączyć.
- Przytrzymać wciśnięty przycisk **E** aż do wygaszenia wyświetlacza.

Czyszczenie filtrów

- Otworzyć Panele Comfort poprzez pociągnięcie.
- Wyjąć filtry pojedynczo, przesuwając uchwyty ich blokad w kierunku tyłu okapu i jednocześnie pociągając je w dół.
- Unikać zaginania filtrów podczas mycia. Przed ponownym montażem wewnątrz okapu, upewnić się, czy są całkowicie suche. (Kolor powierzchni filtra może zmienić się z czasem, ale nie ma to wpływu na jego skuteczność).
- Wkładając filtry z powrotem do okapu należy zwrócić uwagę, aby zostały poprawnie zamontowane uchwytem do zewnątrz.
- Zamknąć Panele Comfort.



Filtr węglowy (tryb recyrkulacji)

Tego filtra nie można myć ani regenerować. Należy go wymienić po pojawieniu się na wyświetlaczu komunikatu **EF** lub przynajmniej co 4 miesiące.

Aktywacja sygnału alarmowego

- W przypadku okapów w wersji recyrkulacyjnej, alarm nasycenia filtra należy aktywować podczas montażu lub później.
- Wyłączyć okap i oświetlenie.
- Odłączyć okap od zasilania.
- Podczas ponownego włączania nacisnąć i przytrzymać przycisk **B**.
- Po puszczeniu przycisku na wyświetlaczu pojawiają się dwa obracające się kwadraty.
- W ciągu trzech sekund nacisnąć przycisk **B**, aż do pojawienia się migającego potwierdzenia na wyświetlaczu:
 - dwa mignięcia komunikatu **EF** – alarm nasycenia filtra węglowego **WŁĄCZONY**.
 - jedno mignięcie komunikatu **EF** – alarm nasycenia filtra węglowego **WYŁĄCZONY**.

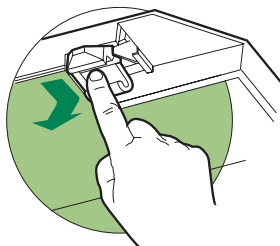
WYMIANA FILTRA WĘGLOWEGO

Wyłączenie sygnału alarmowego

- Wyłączyć okap oraz oświetlenie. Jeśli funkcja 24h była aktywowana, należy ją wyłączyć.
- Przytrzymać wciśnięty przycisk **E** aż do wygaszenia wyświetlacza.

Wymiana filtra

- Otworzyć Panele Comfort poprzez pociągnięcie.
- Wyjąć metalowe filtry tłuszczowe.
- Wyjąć nasycony filtr węglowy poprzez zwolnienie blokad.
- Włożyć nowy filtr i zamontować w odpowiednim położeniu.
- Włożyć na miejsce metalowe filtry tłuszczowe.
- Zamknąć Panele Comfort.



Oświetlenie

WYMIANA ŻARÓWEK

Żarówki halogenowe 20 W

- Zdjąć zatrzaskową osłonę podważając ją od strony metalowego krążka, przytrzymując ją jedną ręką.
- Wyjąć żarówkę halogenową z oprawki, delikatnie ją pociągając.
- Wymienić na żarówkę tego samego typu, upewniając się, że oba wtyki są poprawnie umiejscowione w otworach oprawki.
- Włożyć zatrzaskową osłonę lampki.





Franke S.p.a.
Via Pignolini,2
37019 Peschiera del Garda (VR)
www.franke.it

436002998_ver8